

4

3

2

1

REVISIONS				
ZONE	REV.	DESCRIPTION	DATE	APPROVED
-	-	NEW RELEASE		

TVRO C & Ku BAND
2.8M ANTENNA SYSTEM
AL-7209-SYSTEM2

D

D

C

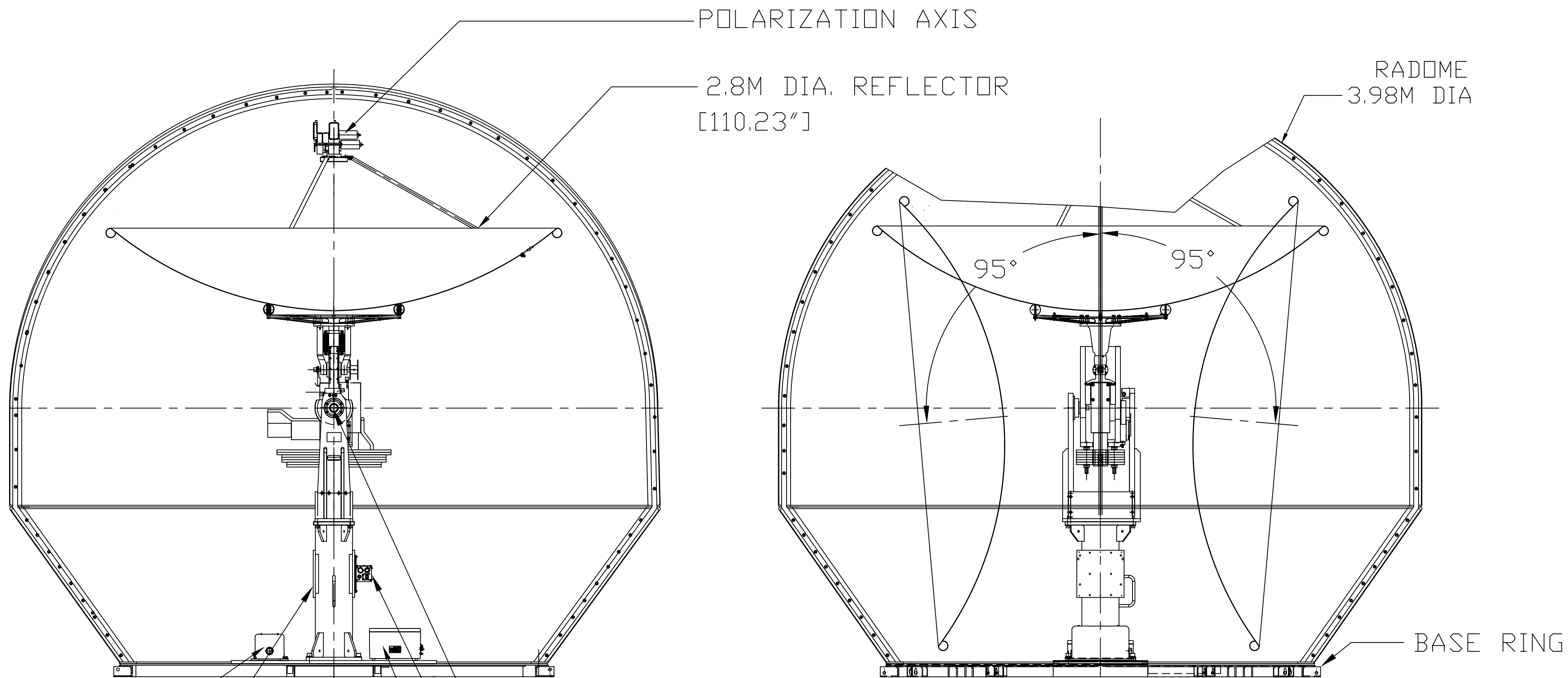
C

B

B

A

A



INERT. MEASUR.
UNIT
AL7203-IMU-NT3

CUSTOMER'S
UTILITY
SUPPORT

X/Y POSITIONER
AL7108-1MK2

LOCAL CONTROL UNIT
AL-7108-SBC

SERVO DRIVER
UNIT
AL7100-SDU-MK2

INTERFACE CONTROL DRAWING

ORIGINAL

QTY	UNIT	PART OR IDENTIFYING NO.	NOMENCLATURE OR DESCRIPTION	MATERIAL / SPECIFICATIONS	ITEM NO.
APPROVED					
PART LIST					
UNLESS OTHERWISE SPECIFIED DIMENSIONS ARE IN mm[inch] DECIMALS			CONTRACT NO.		
HOLES LOC. ±			DRAWN Marina 27.04.10		
LIN. DIM. ± 10			CHECK		
ANGULAR ±			DESIGN Vladimir N. 27.04.10		
DO NOT SCALE DRAWING			APPROVED		
CHAMFER EDGES _____ x 45°			SIGN. DATE		
FINISH ✓			SCALE 1/20		
PRG. No.			RELEASE DATE		



TITLE TVRO C & Ku 2.8M ANT SYSTEM

SUB. ASSEMBLY

ASSEMBLY AL-7209-SYSTEM2

SIZE C FSCM NO. S5496 DWG. NO. DCD30-0519

SHEET 1 OF 3

PROPRIETARY DATA
Information contained herein is the sole property of ORBIT Communication Ltd. and is not for publication, duplication and it may not be passed to any other party without written authorization from ORBIT Communication Ltd.

REVISION	REV STATUS OF SHEETS	PART DASH NO.	NEXT QTY. REQD. PER ASSY.	FINAL	NEXT ASSEMBLY	USED ON APPLICATION
3	2	1	SHEET			

4

3

2

1

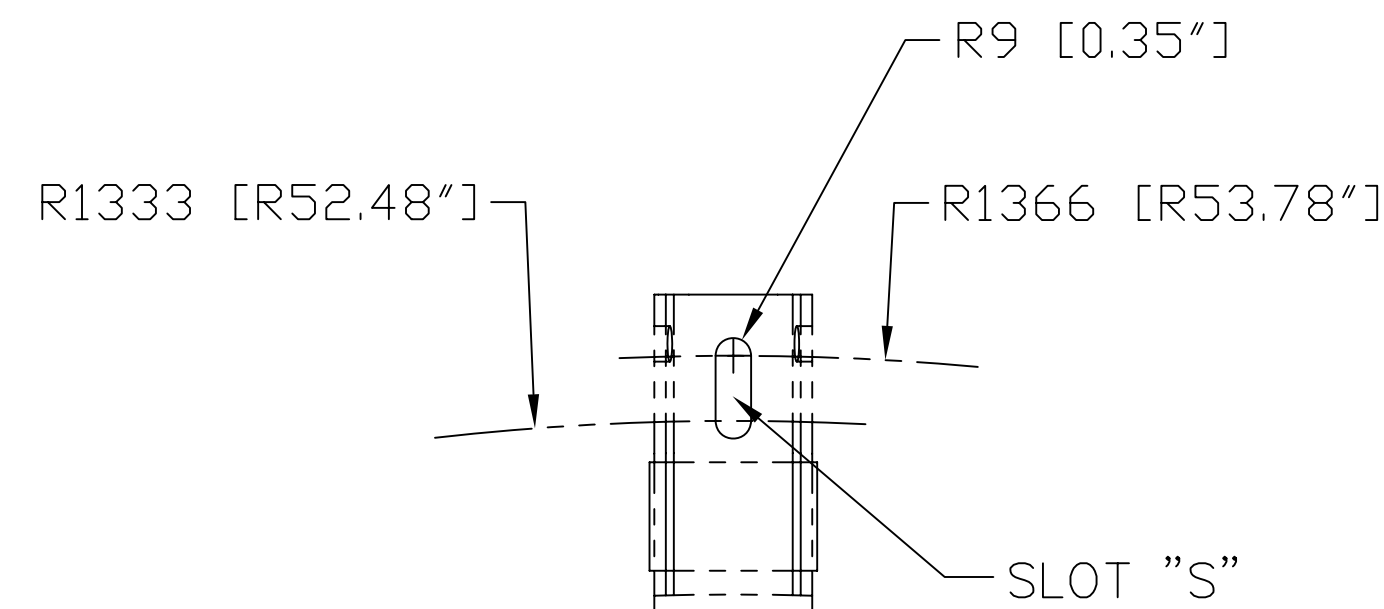
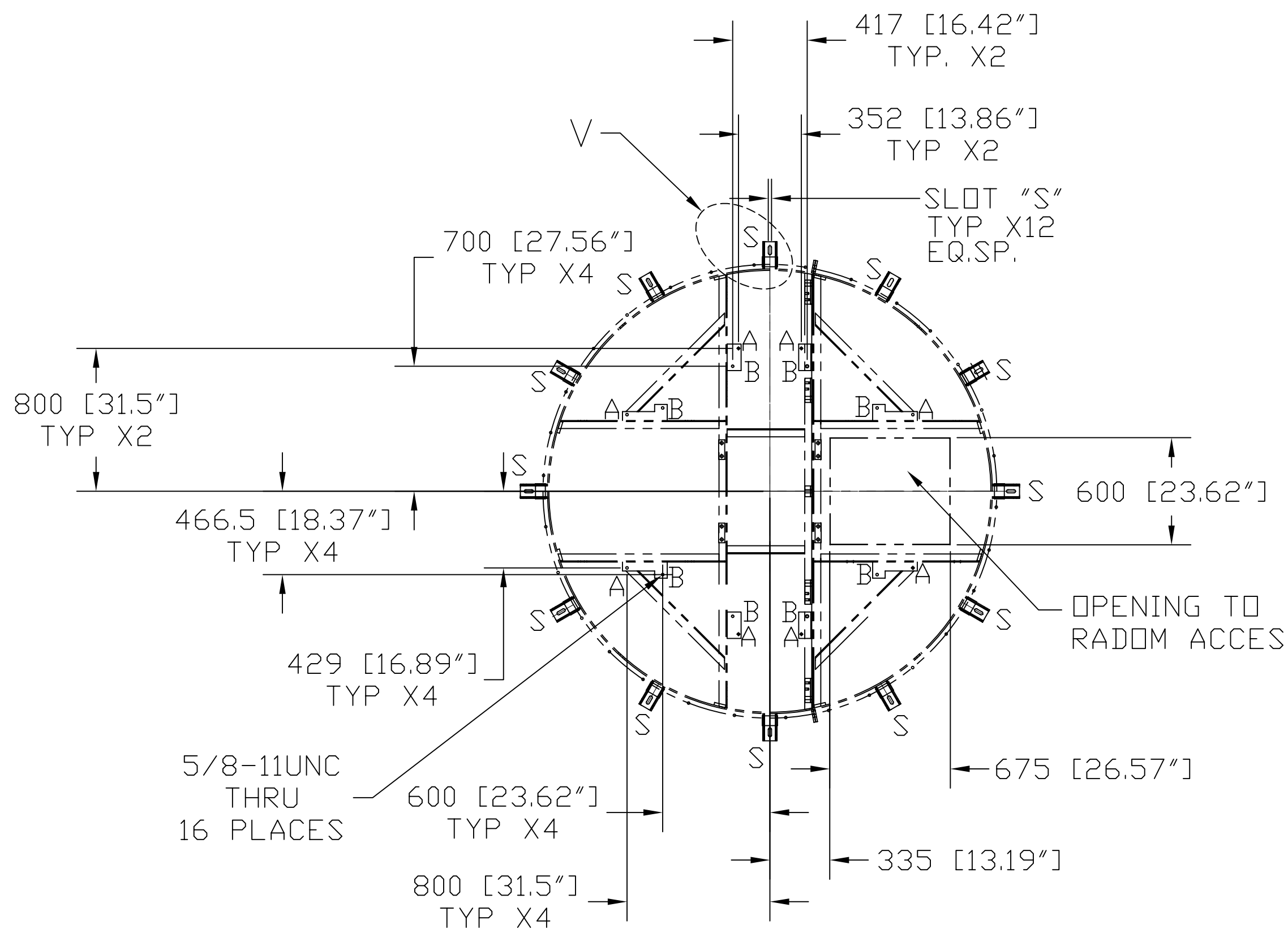
DRAWING SHEET

TVRO C & Ku BAND
2.8M ANTENNA SYSTEM
AL-7209-SYSTEM2
INSTALLATION FOOT PRINT

REVISIONS				
ZONE	REV.	DESCRIPTION	DATE	APPROVED
-	-	NEW RELEASE		

OPTION 1
SIDE CLAMPING-12 MOUNTING SLOTS "S"
PERFORMED IN THE EXTERNAL BRACKETS
ARE ALLOWING SYSTEM EXTERNAL BOLTING FROM ABOVE TO IT'S
SUPPORT BY MEANS OF SCREWS 5/8"
OR M16 AND MATCHING WASHERS
CENTRAL CLAMPING THREADED HOLES "A"
5/8-11UNC PERFORMED IN THE BASE RING
ARE ALLOWING INSIDE RING BOLTING FROM BELLOW
BY MEANS OF 5/8-11UNC SCREWS AND MATCHING WASHERS
(SEE ALSO SHEET 3/3)

OPTION 2
SIDE CLAMPING-12 MOUNTING SLOTS "S"
PERFORMED IN THE EXTERNAL BRACKETS
ARE ALLOWING SYSTEM EXTERNAL BOLTING FROM ABOVE TO IT'S
SUPPORT BY MEANS OF SCREWS 5/8"
OR M16 AND MATCHING WASHERS
CENTRAL CLAMPING THREADED HOLES "B"
5/8-11UNC PERFORMED IN THE BASE RING
ARE ALLOWING INSIDE RING BOLTING FROM BELLOW
BY MEANS OF 5/8-11UNC SCREWS AND MATCHING WASHERS
(SEE ALSO SHEET 3/3)



DETAIL V
SLOT DETAIL
SCALE 1/4

NOTE:
THERE ARE TWO GROUPS, "A" AND "B" THREADED HOLES
TO KEEP BOTH THE ACTUAL AND PREVIOUS
CONFIGURATION OF THE HOLES LOCATION.

PROPRIETARY DATA
Information contained herein is the sole
property of ORBIT Communication Ltd.
and is not for publication, duplication
and it may not be passed to any other
party without written authorization
from ORBIT Communication Ltd.

		TITLE TVRO C & Ku 2.8M ANT SYSTEM		
DRAWN <i>Marina</i> 27.04.10	C	FSCM NO. S5496	DWG. NO. DCD30-0519	REV.
CHECK	SCALE 1/25	RELEASE DATE	SHEET 2	3

4

3

2

1

REVISIONS				
ZONE	REV.	DESCRIPTION	DATE	APPROVED
	-	NEW RELEASE		

TVRO C & Ku BAND
2.8M ANTENNA SYSTEM
AL-7209-SYSTEM2
SYSTEM'S OUTLINE DIMENSIONS

▲ SEE INSTALLATION "FOOT PRINT"

D

D

C

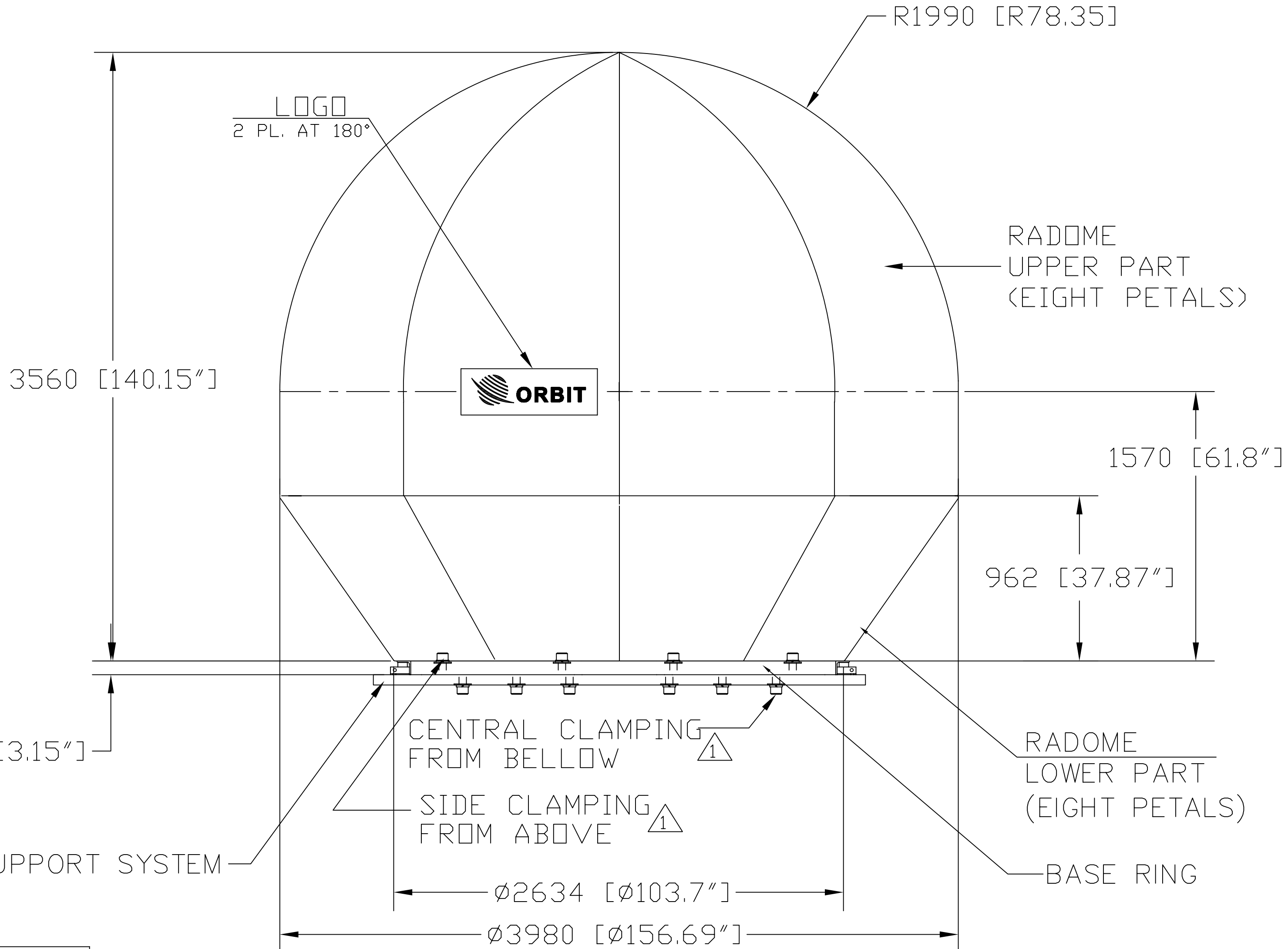
C

B

B

A

A



SHEET 3
 DWG NO.
 VR-

PROPRIETARY DATA
 Information contained herein is the sole property of ORBIT Communication Ltd. and is not for publication, duplication and it may not be passed to any other party without written authorization from ORBIT Communication Ltd.

		TITLE TVRO C & Ku 2.8M ANT SYSTEM		
DRAWN Marina 27.04.10	C	FSCM NO. S5496	DWG. NO. DCD30-0519	REV.
CHECK	SCALE 1/25	RELEASE DATE	SHEET 3	3

4

3

2

1