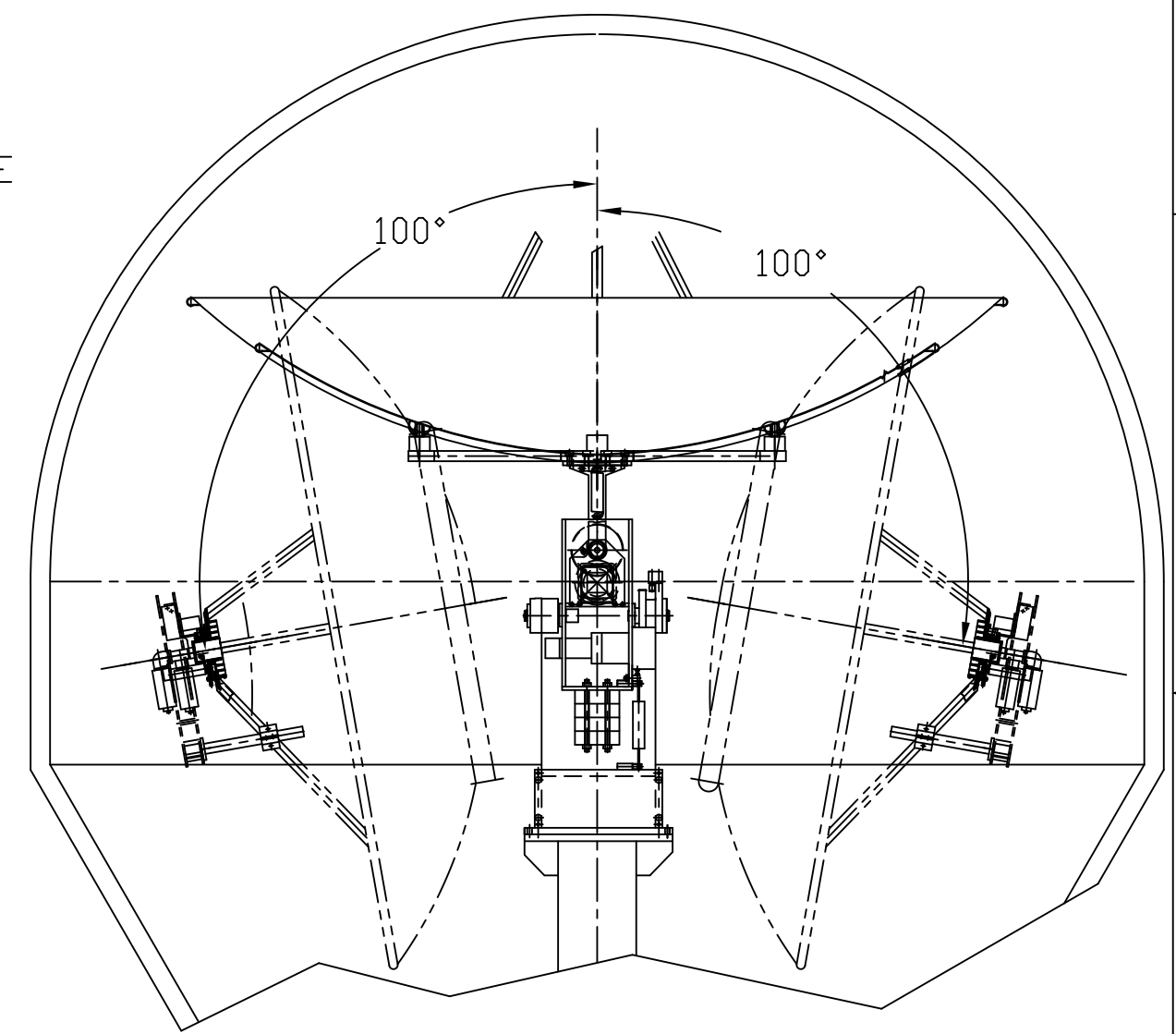
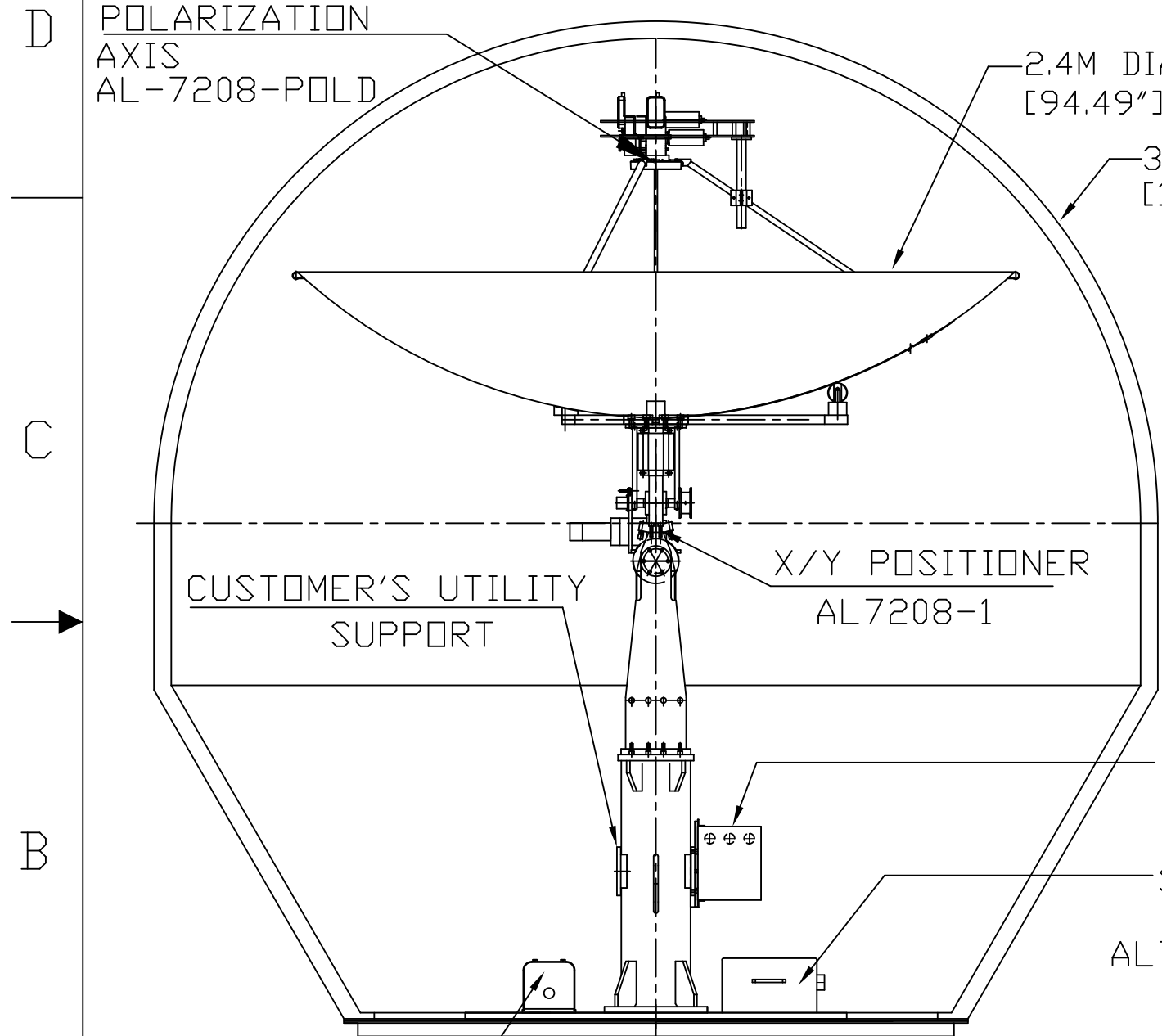


TVRO C&Ku BAND, 2.4M ANTENNA SYSTEM AL-7208-SYSTEM2

REVISIONS				
ZONE	REV.	DESCRIPTION	DATE	APPROVED
-	-	NEW RELEASE		



INTERFACE CONTROL DRAWING

QTY	UNIT	PART OR IDENTIFYING NO.	NOMENCLATURE OR DESCRIPTION	MATERIAL / SPECIFICATIONS	ITEM NO.
-----	------	-------------------------	-----------------------------	---------------------------	----------

UNLESS OTHERWISE SPECIFIED DIMENSIONS ARE IN mm.[inch] DECIMALS

Holes LOC. ± 1.0
 LIN. DIM. ± 5.0
 ANGULAR ± 3°
 DO NOT SCALE DRAWING

CHAMFER EDGES _____ x 45°

FINISH ✓

CONTRACT NO. _____

DRAWN Marina 22.03.10
 CHECK [Signature] 22/3/10
 DESIGN Maxim 22.03.10
 APPROVED _____

ORBIT TECHNOLOGY GROUP

TITLE TVRO C&Ku BAND, 2.4m ANT
 SUB. ASSEMBLY
 ASSEMBLY AL-7208-SYSTEM2

SIZE B FSCM NO. S5496 DWG. NO. DCD30-0375
 AL-7208-SYSTEM2

SCALE 1/20 RELEASE DATE SHEET 1 OF 3

PROPRIETARY DATA
 Information contained herein is the sole property of ORBIT TECHNOLOGY GROUP and is not for publication, duplication and it may not be passed to any other party without written authorization from ORBIT TECHNOLOGY GROUP

ORIGINAL

REV	REV STATUS OF SHEETS	PART DASH NO.	NEXT QTY. REQD. PER ASSY.	FINAL	NEXT ASSEMBLY	USED ON
3	2	1	SHEET			

A

A

4

3

2

1

4

3

T3E2H2 .V3E9

.oM .DWC

-JA

1

TVRO C&Ku BAND, 2.4M ANTENNA SYSTEM
AL-7208-SYSTEM2
 SYSTEM'S OUTLINE DIMENSIONS

REVISIONS				
ZONE	REV.	DESCRIPTION	DATE	APPROVED
	-	NEW RELEASE	6.8.07	

D

D

C

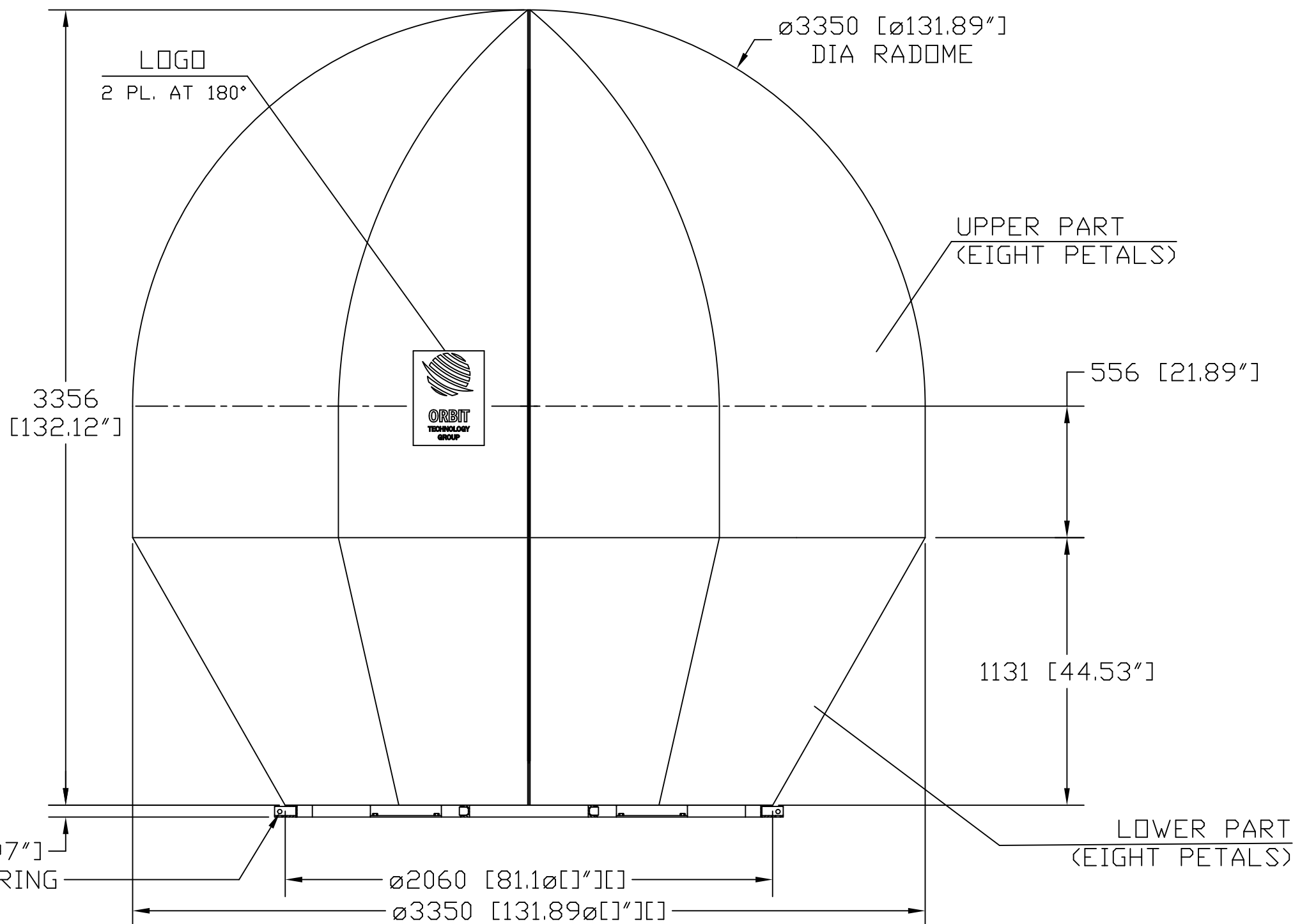
C

B

B

A

A



PROPRIETARY DATA
 Information contained herein is the sole property of ORBIT TECHNOLOGY GROUP and is not for publication, duplication and it may not be passed to any other party without written authorization from ORBIT TECHNOLOGY GROUP

ORIGINAL

	DRAWN <i>Marina</i> 22.03.10		TITLE TVRO C&Ku BAND, 2.4m ANT AL7208-SYSTEM2	
	CHECK	SCALE 1/20	FSCM NO. S5496	REV. B
RELEASE DATE 20/9/11		DWG. NO. DCD30-0375		REV.
SHEET 2		3		

4

3

2

1

4

3

1

T3E2 REV. DWG. -JA

TVRO C&Ku BAND, 2.4M ANTENNA SYSTEM AL-7208-SYSTEM2

REVISIONS				
ZONE	REV.	DESCRIPTION	DATE	APPROVED
	-	NEW RELEASE	6.8.07	

INSTALLATION INTERFACE FOR AL7208 SYS

SIDE CLAMPING-10 MOUNTING HOLES „B“ 18mm DIA PERFORMED IN THE EXTERNAL BRACKETS ARE ALLOWING SYSTEM EXTERNAL BOLTING FROM ABOVE TO IT'S SUPPORT BY MEANS OF SCREWS 5/8" OR M16 AND MATCHING WASHERS

CENTRAL CLAMPING THREADED HOLES "A" 1/2-13UNC PERFORMED IN THE BASE RING ARE ALLOWING INSIDE RING BOLTING FROM BELLOW BY MEANS OF 1/2-13UNC SCREWS AND MATCHING WASHERS

D

D

C

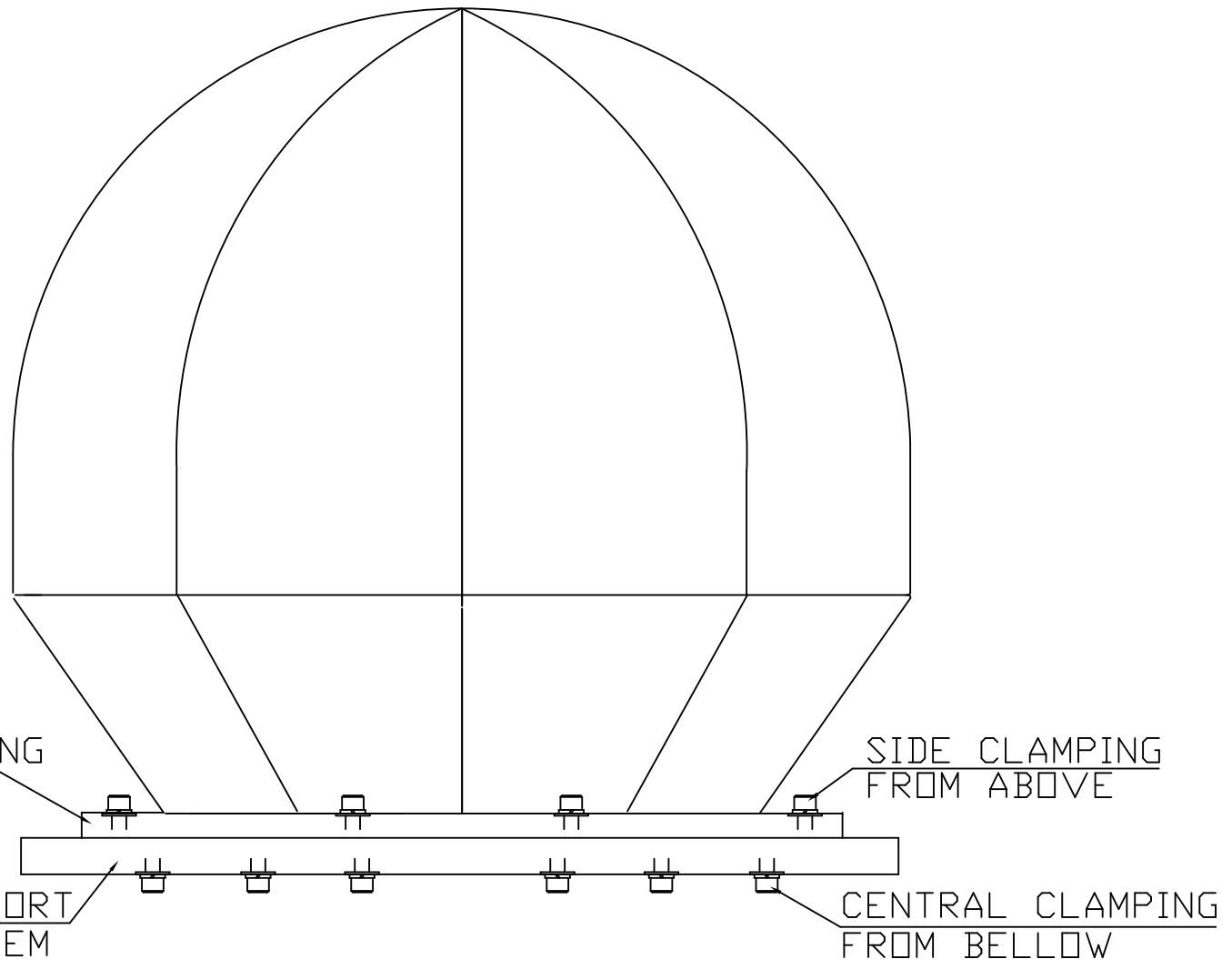
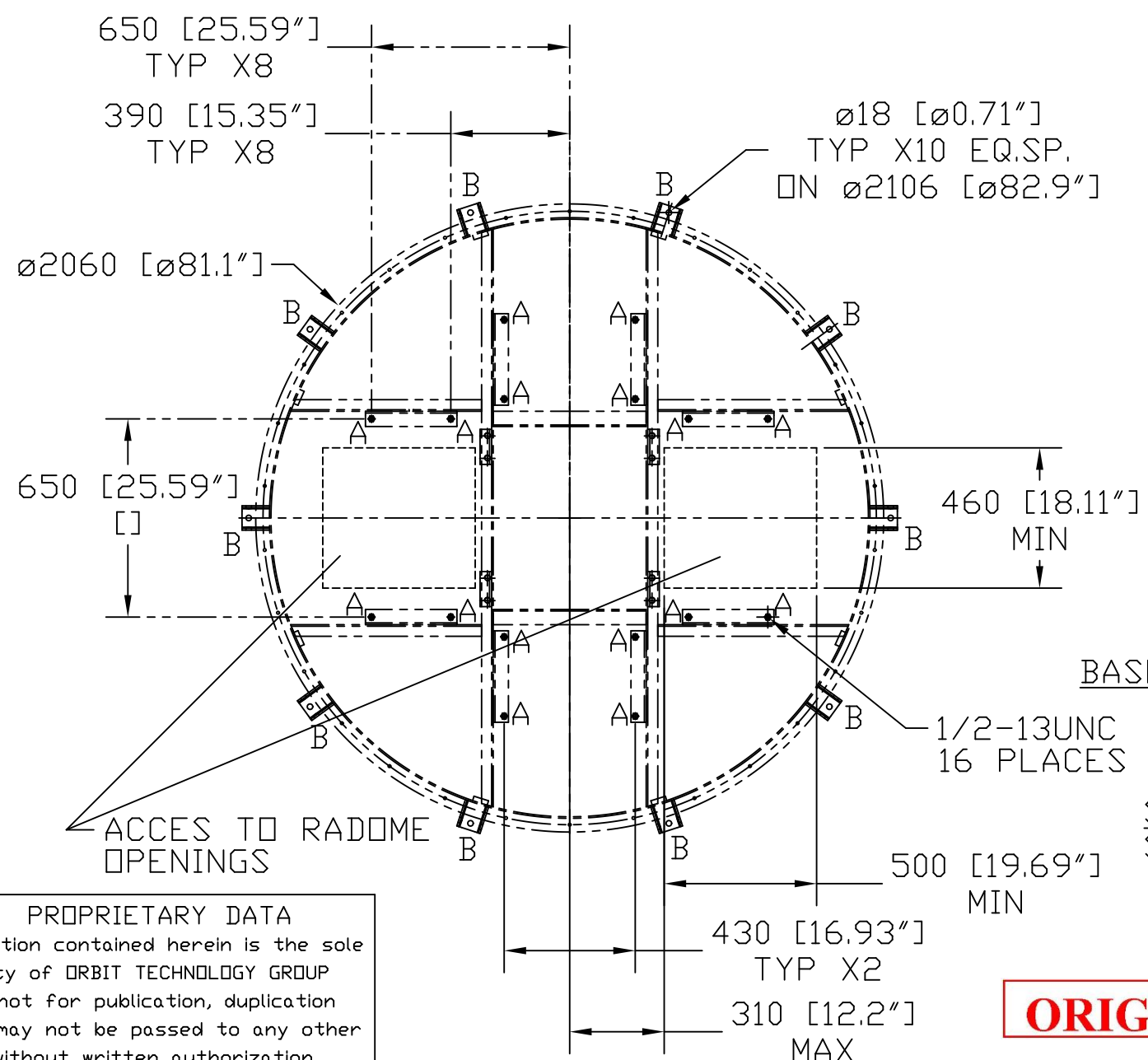
C

B

B

A

A



PROPRIETARY DATA
Information contained herein is the sole property of ORBIT TECHNOLOGY GROUP and is not for publication, duplication and it may not be passed to any other party without written authorization from ORBIT TECHNOLOGY GROUP

ORIGINAL

	TITLE TVRO C&Ku BAND, 2.4m ANT AL7208-SYSTEM2	
	B	FSCM NO. S5496
DRAWN Marina 22.03.10	DWG. NO. DCD30-0375	REV. 3
CHECK	SCALE 1/20	RELEASE DATE 20/9/11
	SHEET 3	3

4

3

2

1