

4

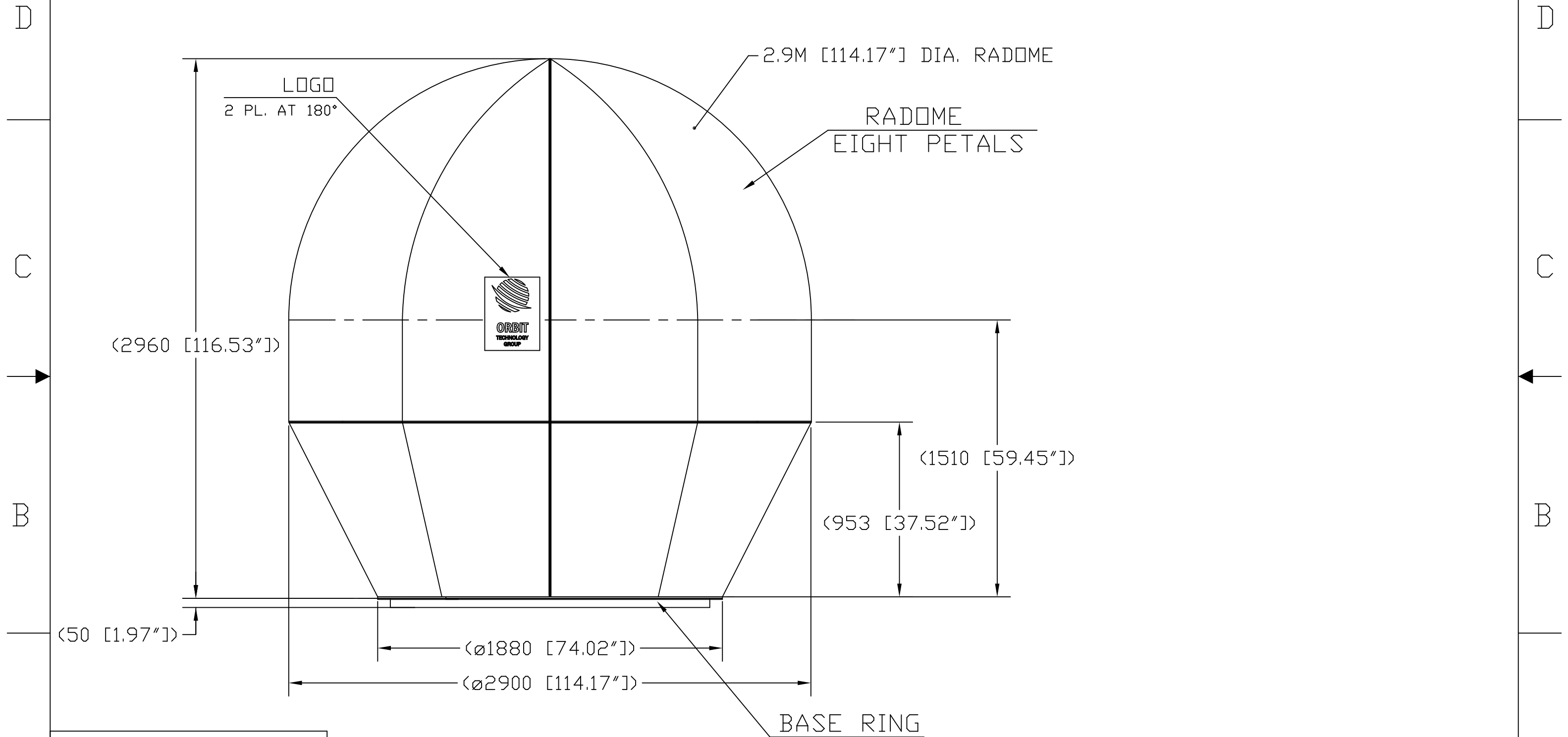
3

1

T3E2H2 .V3E9 .oM .DWC -JA

TVRO C&Ku BAND, 2.0M ANTENNA SYSTEM
AL-7207-SYSTEM2
SYSTEM'S OUTLINE DIMENSIONS

REVISIONS				
ZONE	REV.	DESCRIPTION	DATE	APPROVED
	-	NEW RELEASE		



PROPRIETARY DATA
Information contained herein is the sole property of ORBIT TECHNOLOGY GROUP and is not for publication, duplication and it may not be passed to any other party without written authorization from ORBIT TECHNOLOGY GROUP

ORIGINAL

	ORBIT TECHNOLOGY GROUP		TITLE TVRO C&Ku BAND, 2.0m ANT		
	DRAWN <i>Marina</i> 17.03.10	B	FSCM NO. S5496	DWG. NO. DCD30-0374	REV.
CHECK	SCALE 1/20	RELEASE DATE	SHEET 2 of 3		

4

3

2

1

A

A

B

B

C

C

D

D

4

3

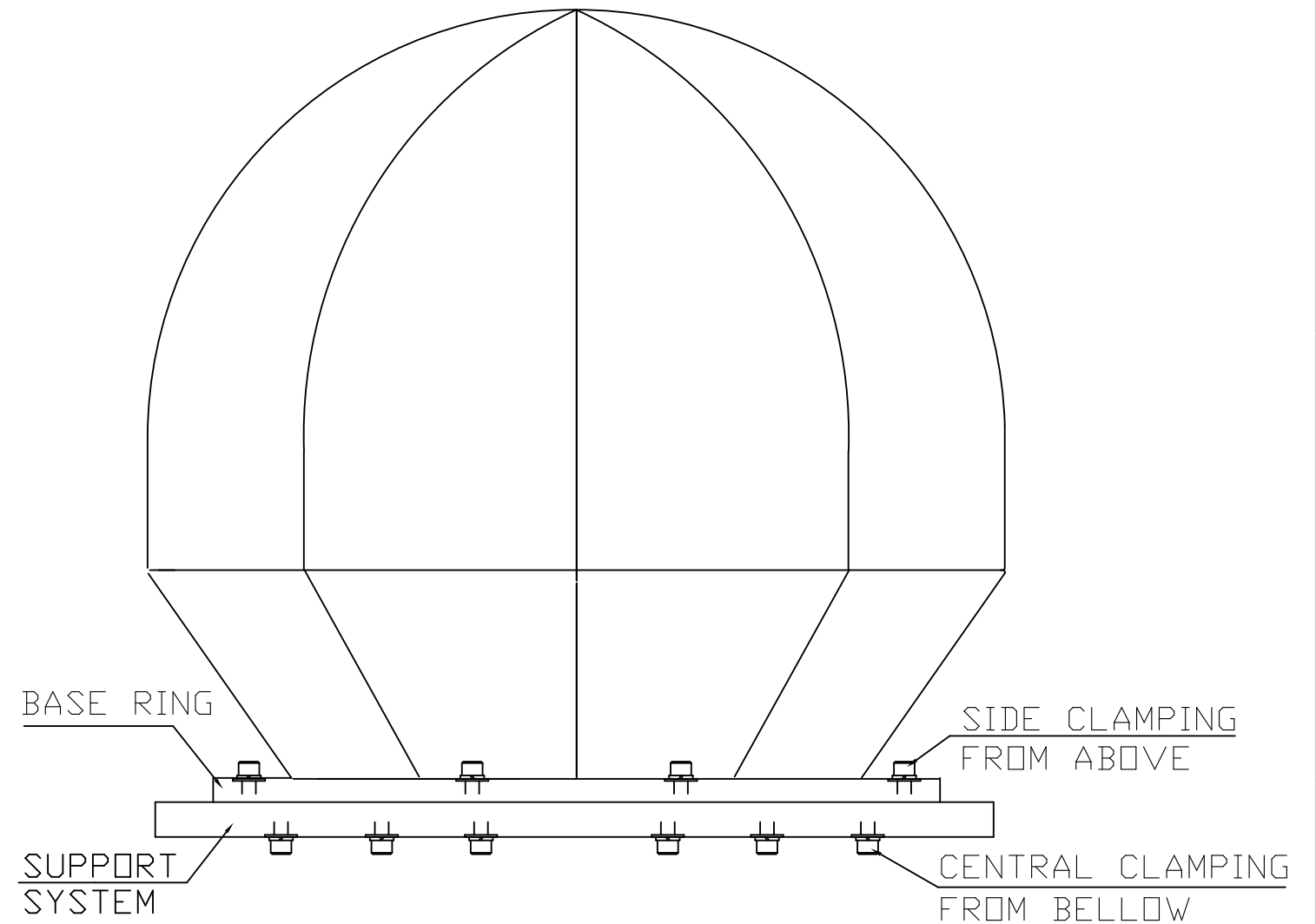
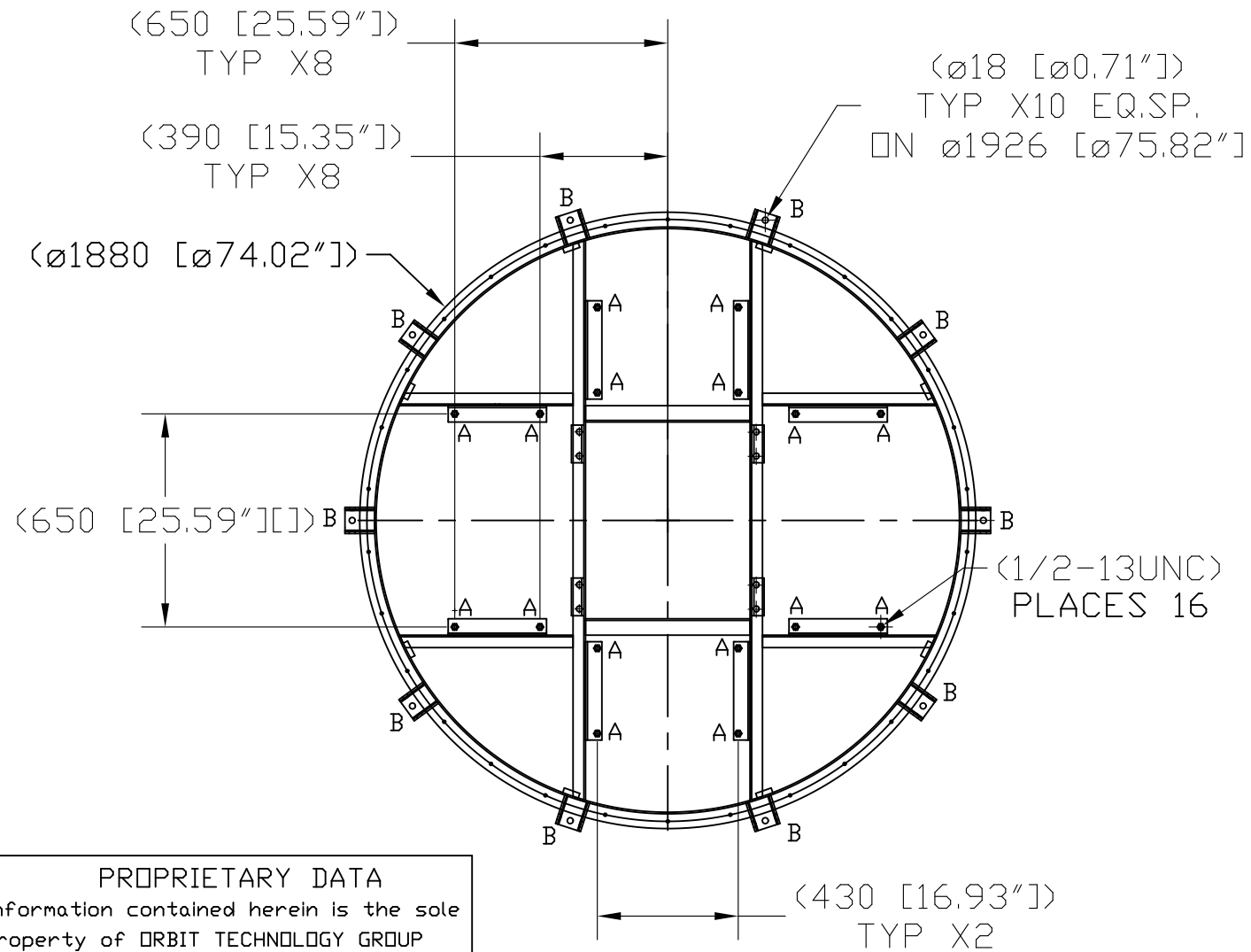
1

*TVRO C&Ku BAND, 2.0M ANTENNA SYSTEM
AL-7207-SYSTEM2
INSTALLATION INTERFACE*

REVISIONS				
ZONE	REV.	DESCRIPTION	DATE	APPROVED
	-	NEW RELEASE		

SIDE CLAMPING-10 MOUNTING HOLES „B“ 18mm DIA PERFORMED IN THE EXTERNAL BRACKETS
 ARE ALLOWING SYSTEM EXTERNAL BOLTING FROM ABOVE TO IT'S
 SUPPORT BY MEANS OF SCREWS 5/8" OR M16 AND MATCHING WASHERS

CENTRAL CLAMPING 16 THREADED HOLES "A" 1/2-13UNC PERFORMED IN THE BASE RING
 ARE ALLOWING INSIDE RING BOLTING FROM BELLOW
 BY MEANS OF 1/2-13UNC SCREWS AND MATCHING WASHERS



PROPRIETARY DATA
 Information contained herein is the sole property of ORBIT TECHNOLOGY GROUP and is not for publication, duplication and it may not be passed to any other party without written authorization from ORBIT TECHNOLOGY GROUP

ORIGINAL

	ORBIT TECHNOLOGY GROUP		TITLE TVRO C&Ku BAND, 2.0m ANT		
	DRAWN Marina 17.03.10	B	FSCM NO. S5496	DWG. NO. DCD30-0374	REV.
CHECK	SCALE 1/20	RELEASE DATE	SHEET 3 of 3		

4

3

2

1