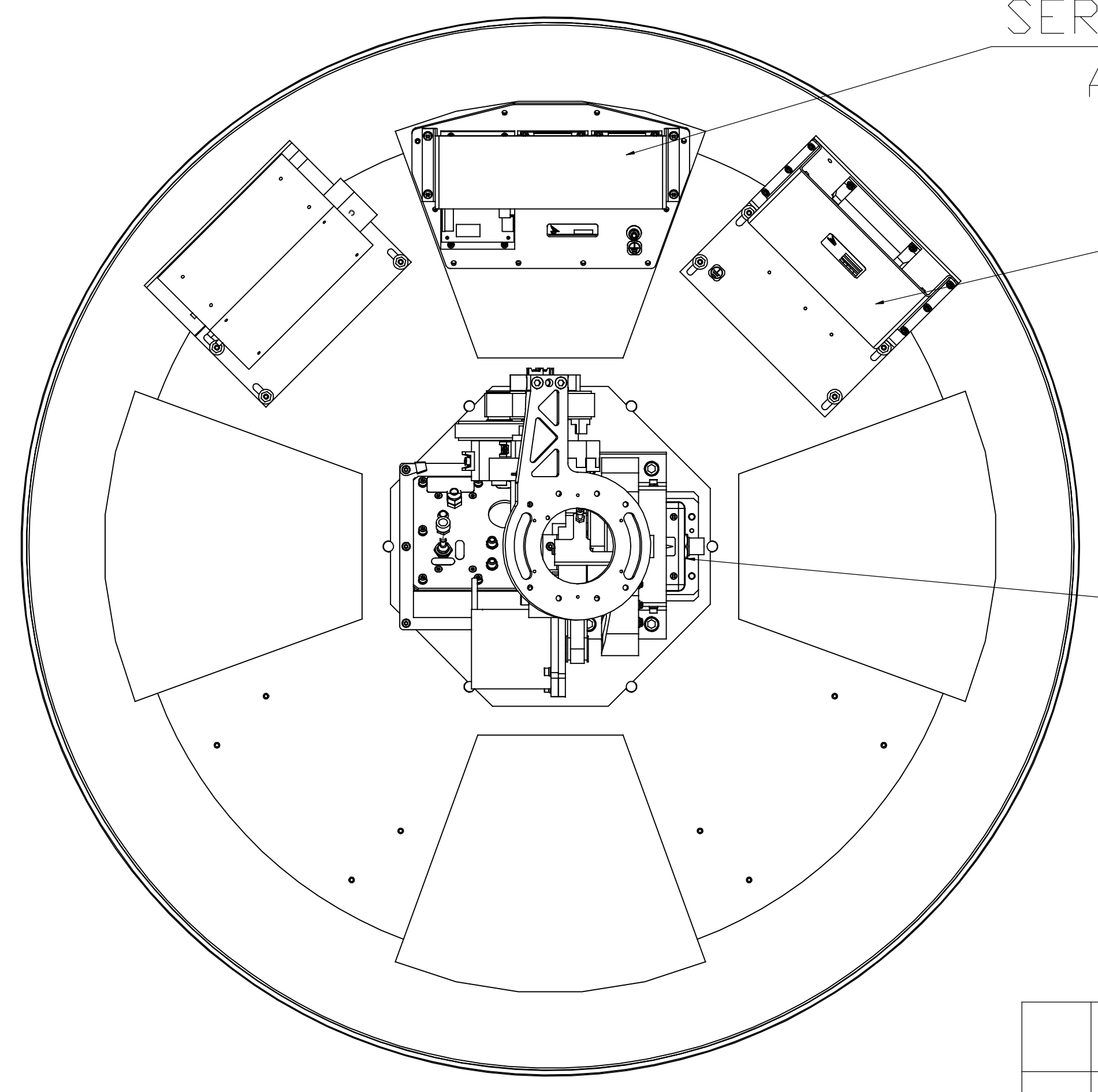
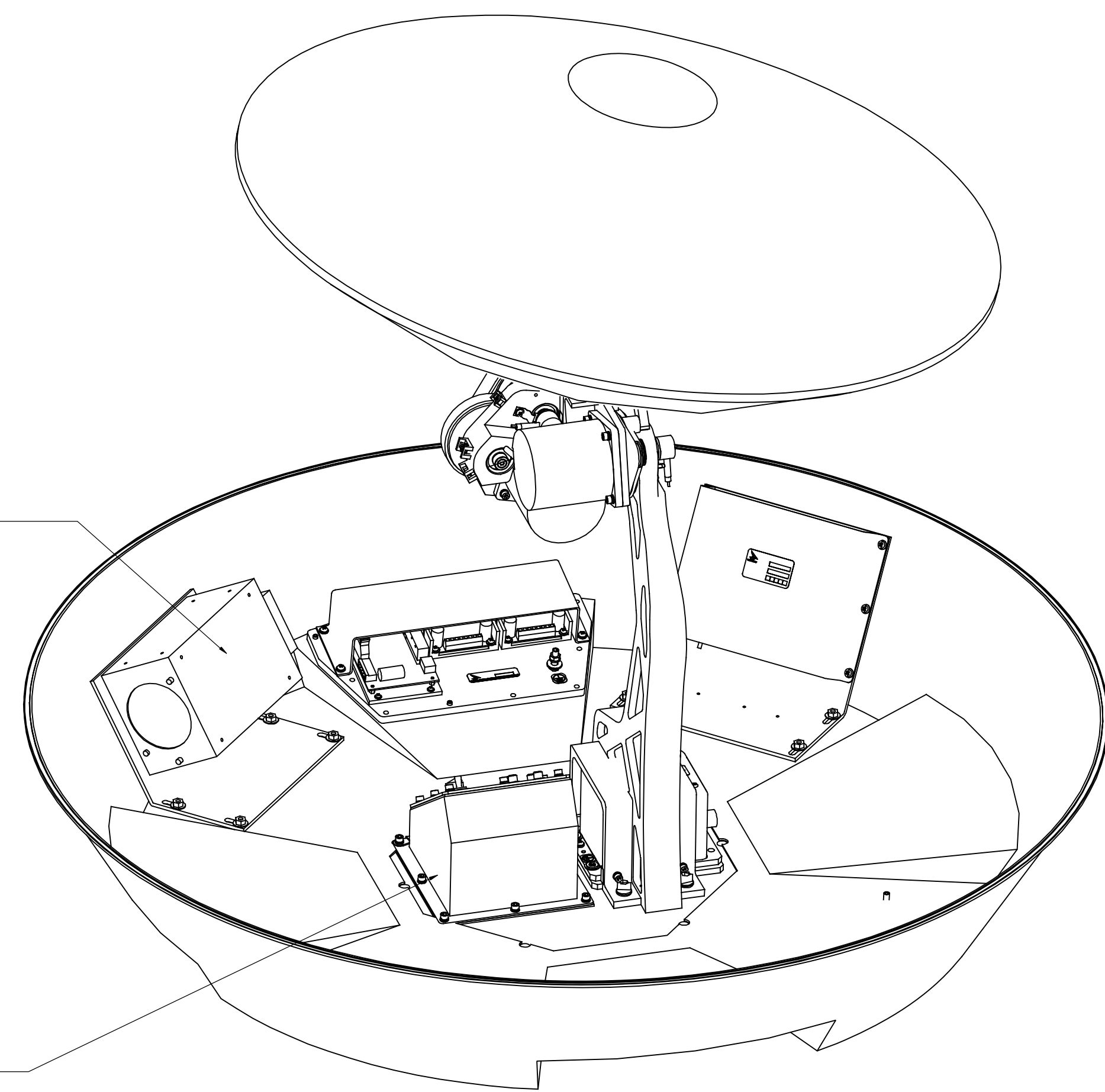
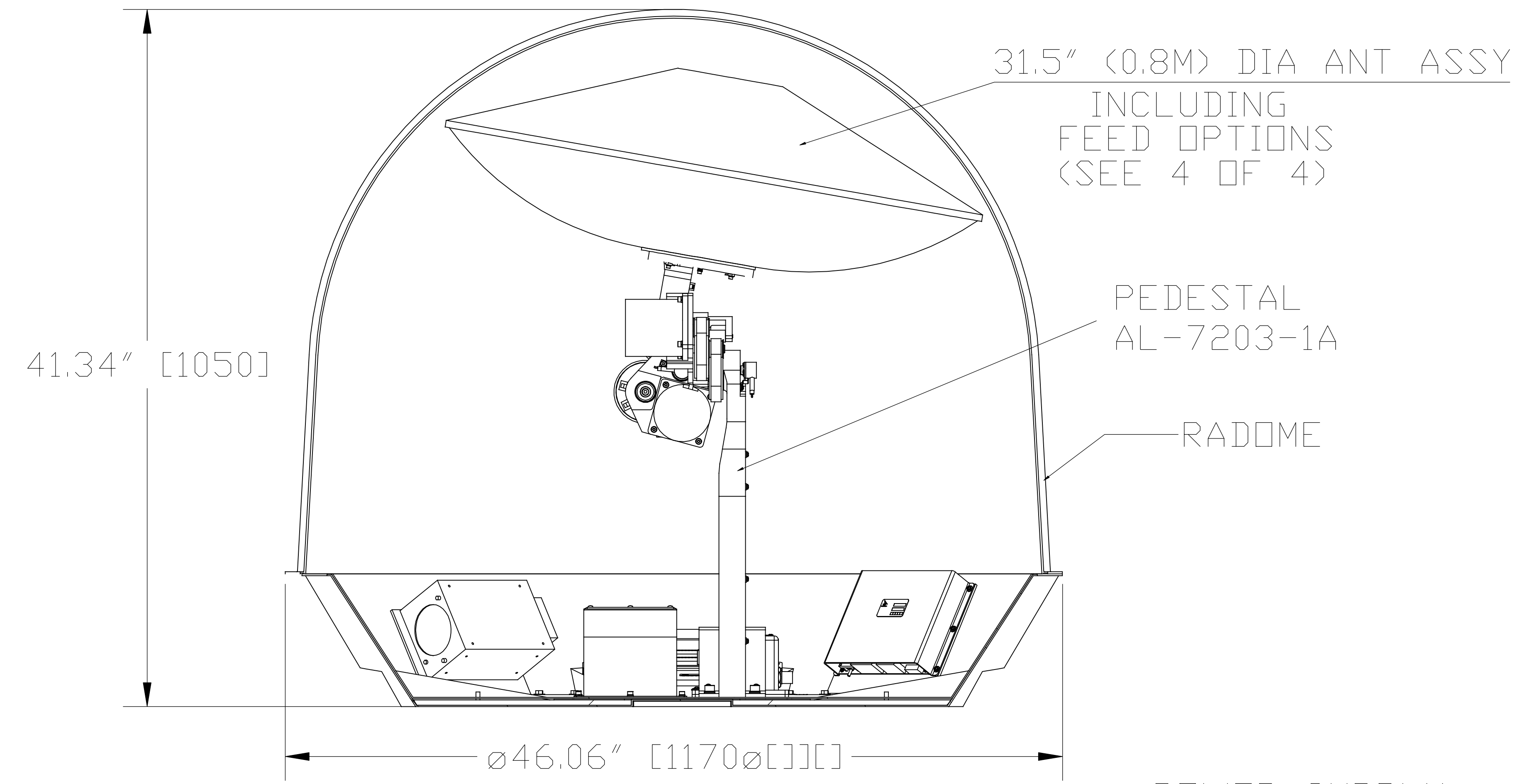


T33H2	REV.	DATE	APPROVED
REVISIONS			
ZONE	REV.	DESCRIPTION	DATE
A	1	ECO. No. 650669	13.11.03
			SHAI

TVRO Ku-BAND 0.8M ANTENNA SYSTEM WAVETRACK-80



INTERFACE CONTROL DRAWING

ORIGINAL

PROPRIETARY DATA
Information contained herein is the sole property of ORBIT Communication Ltd. and is not for publication, duplication and it may not be passed to any other party without written authorization from ORBIT Communication Ltd.

4	3	2	1	A	REVISION	REV STATUS OF SHEETS
					SHEET	

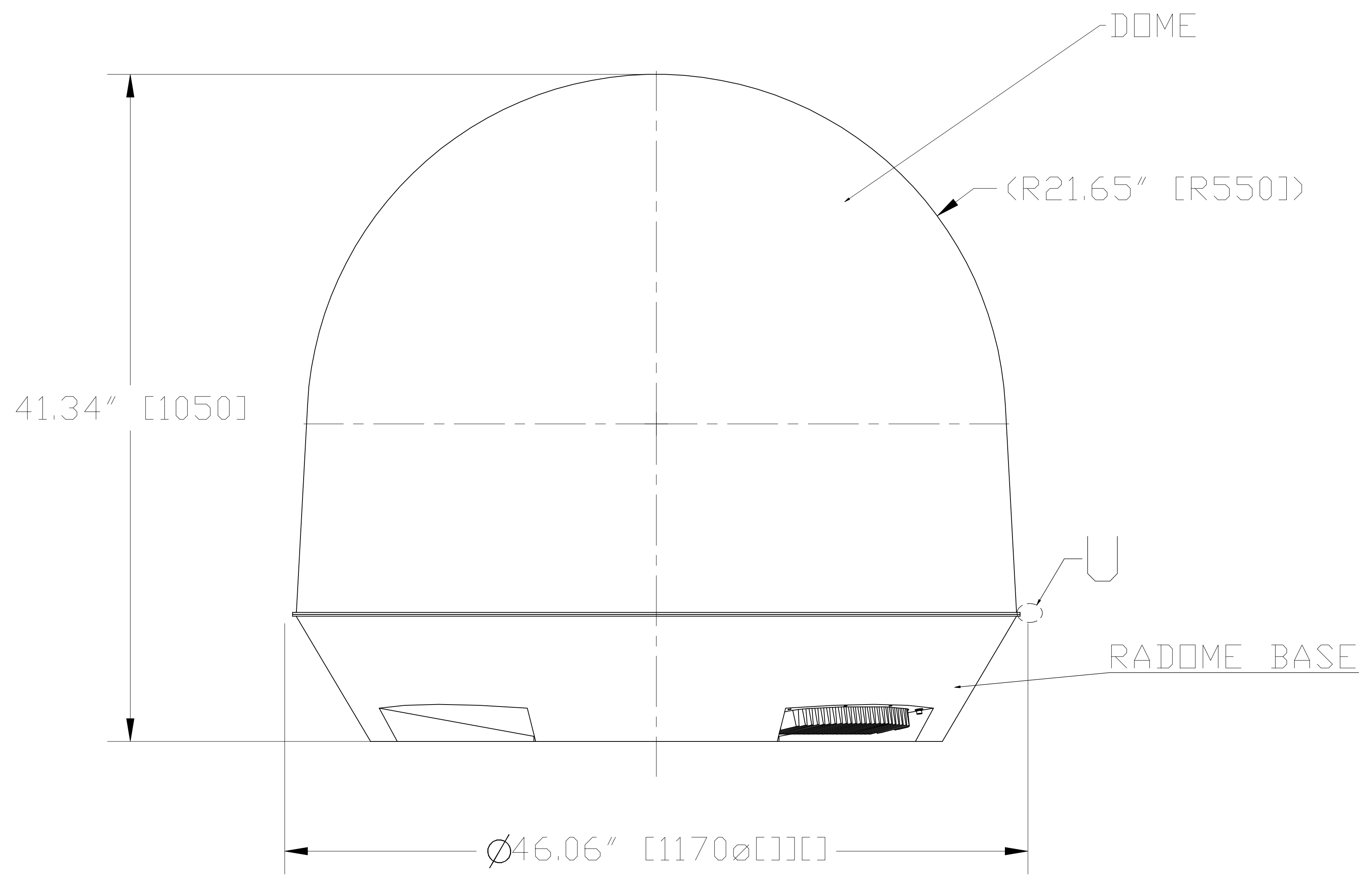
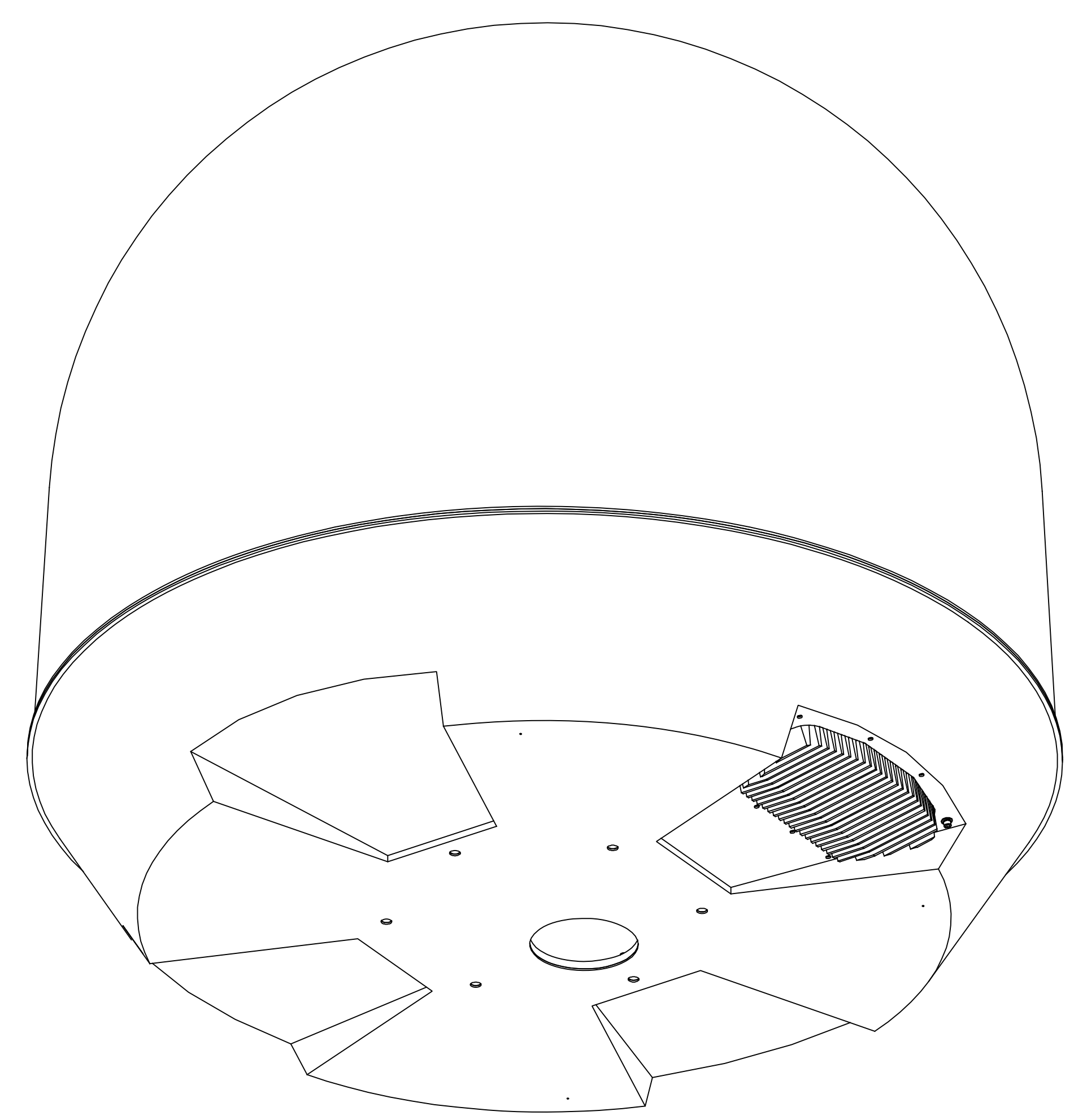
QTY	UNIT	PART OR IDENTIFYING NO.	NOMENCLATURE OR DESCRIPTION	MATERIAL / SPECIFICATIONS	ITEM NO.
PART LIST					
UNLESS OTHERWISE SPECIFIED DIMENSIONS ARE IN			CONTRACT NO.	ORBIT COMMUNICATION LTD.	
DECIMALS			DRAWN	TITLE	
HOLES LOC. ± 0.02			Eldad	31.03.03	0.8M ANTENNA POS. SYSTEM
LIN. DIM. ± 0.5			CHECK	SUB. ASSEMBLY	
ANGULAR ±			DESIGN	31.03.03	ASSEMBLY AL-7203-SYSTEM3
DD NOT SCALE DRAWING			APPROVED	SIZE FSCM NO. S5496 DWG. NO.	
CHAMFER EDGES x 45°			PROG. No.	D AL-7203 DCD20-0750-3	
FINISH ✓			SIGN.	DATE	SCALE 1/5 RELEASE DATE
SHEET 1 OF 4			SHEET 1 OF 4		

8 7 6 5 4 3

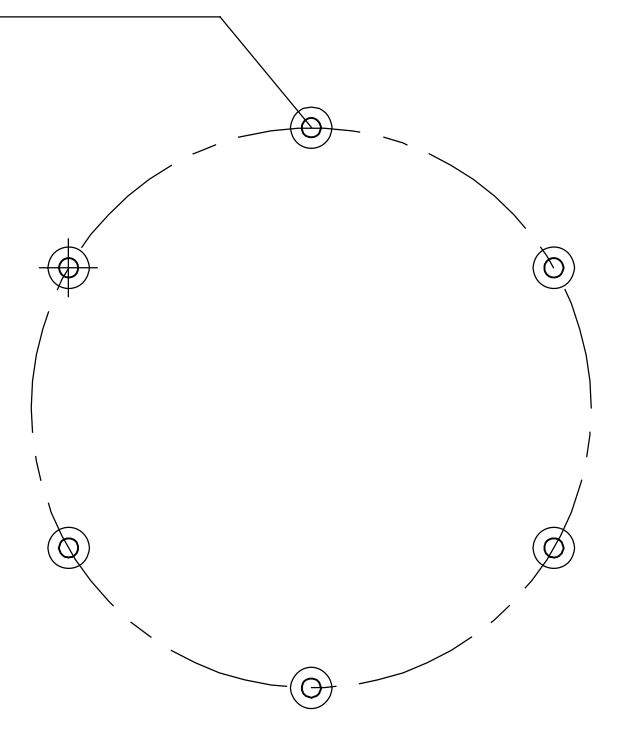
T33H2	REV.	DATE	1
REVISIONS			
ZONE	REV.	DESCRIPTION	DATE APPROVED

*TVRO Ku-BAND
0.8M ANTENNA SYSTEM
WAVETRACK-80*

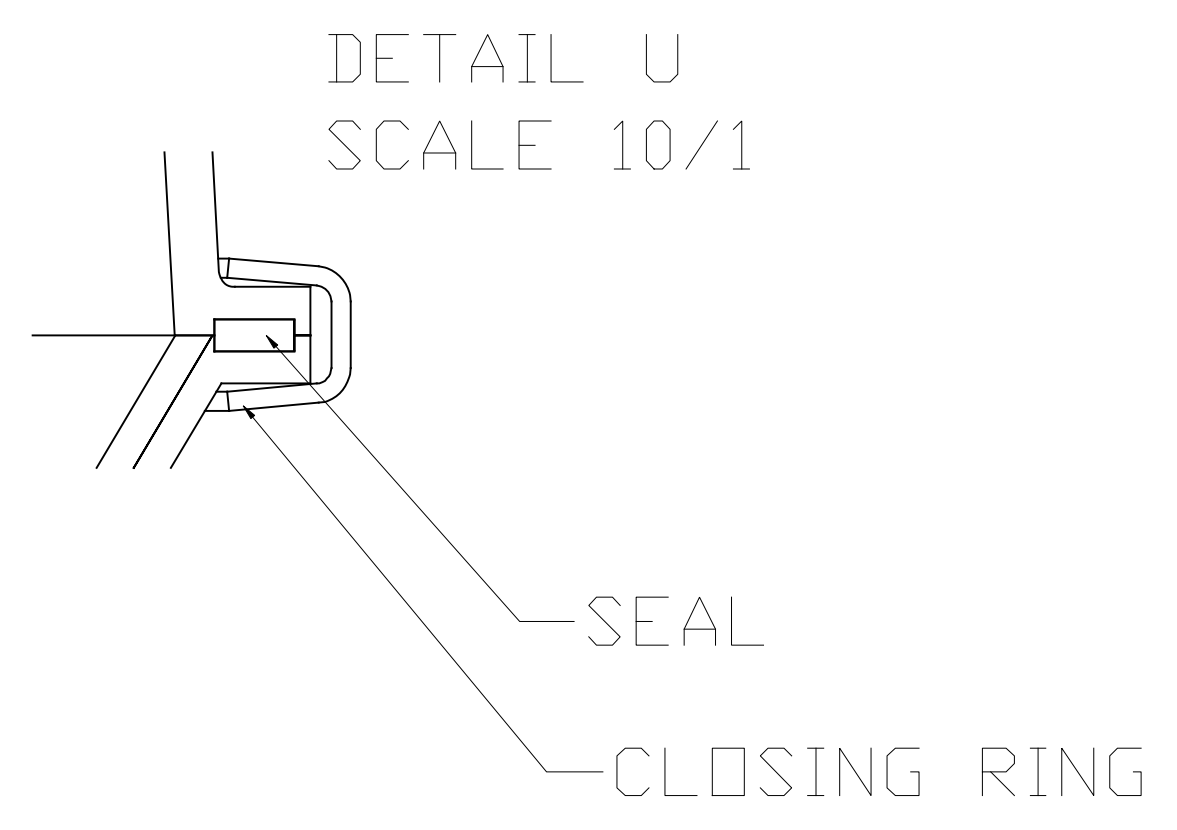
LAYOUT DIMENSIONS AND MOUNTING FOOT PRINT OF THE SYSTEM



SYSTEM PROVIDED WITH
SIX 0.47" [12MM] DIA.
MOUNTING HOLES
6 PLACES EQ.SP
ON $\phi 13.78'' [\phi 350]$
TO CLAMP THE SYSTEM
USE HARDWARE
3/8"-16UNC OR M10



FOOT PRINT



PROPRIETARY DATA
Information contained herein is the sole property of ORBIT Communication Ltd. and is not for publication, duplication and it may not be passed to any other party without written authorization from ORBIT Communication Ltd.

ORIGINAL

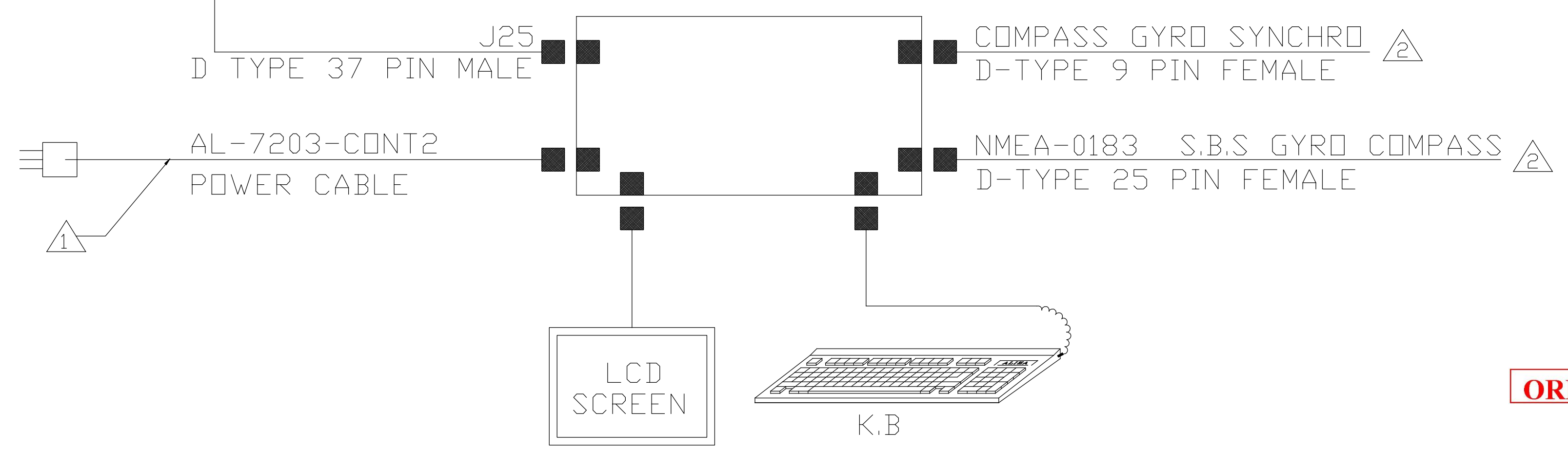
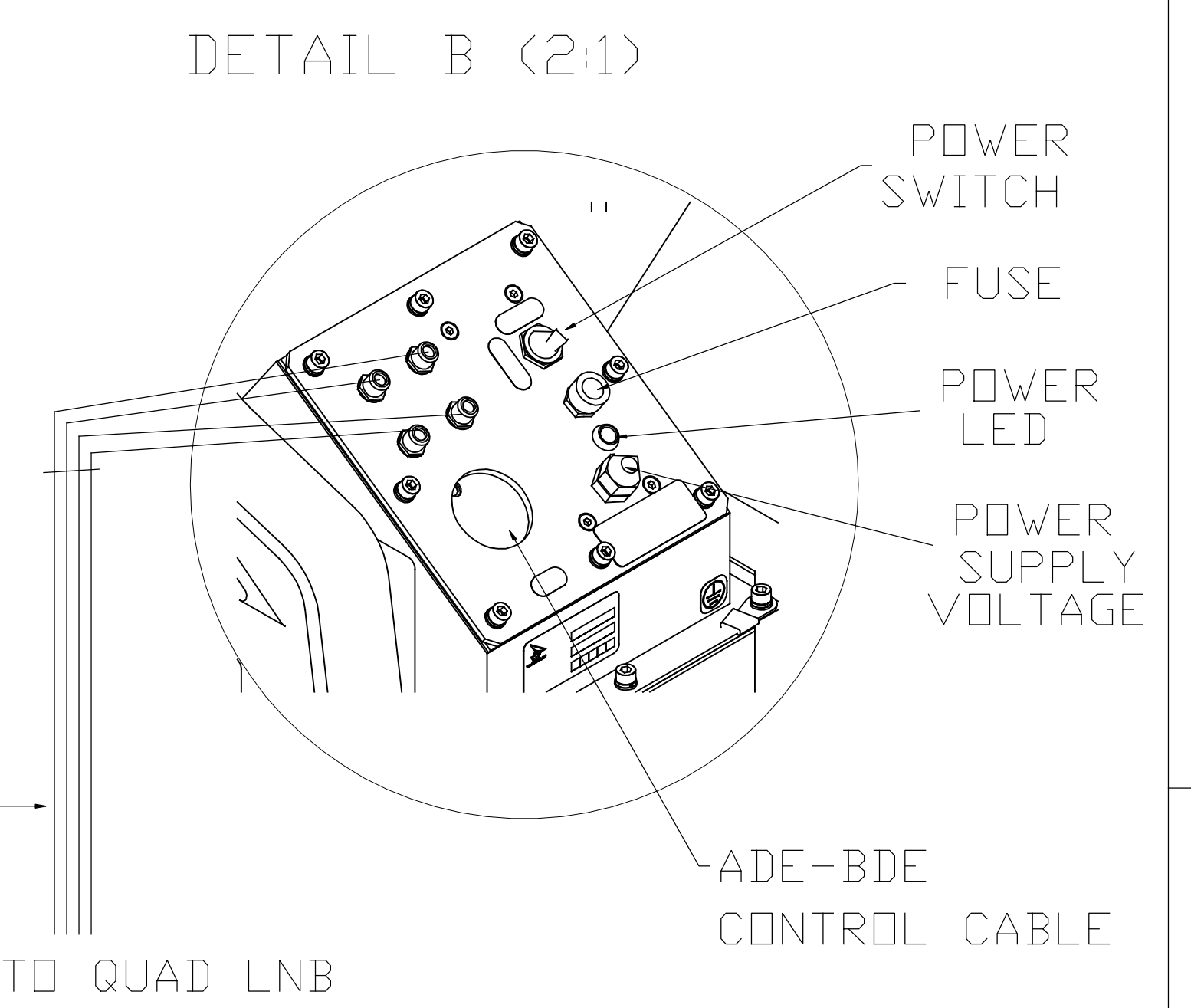
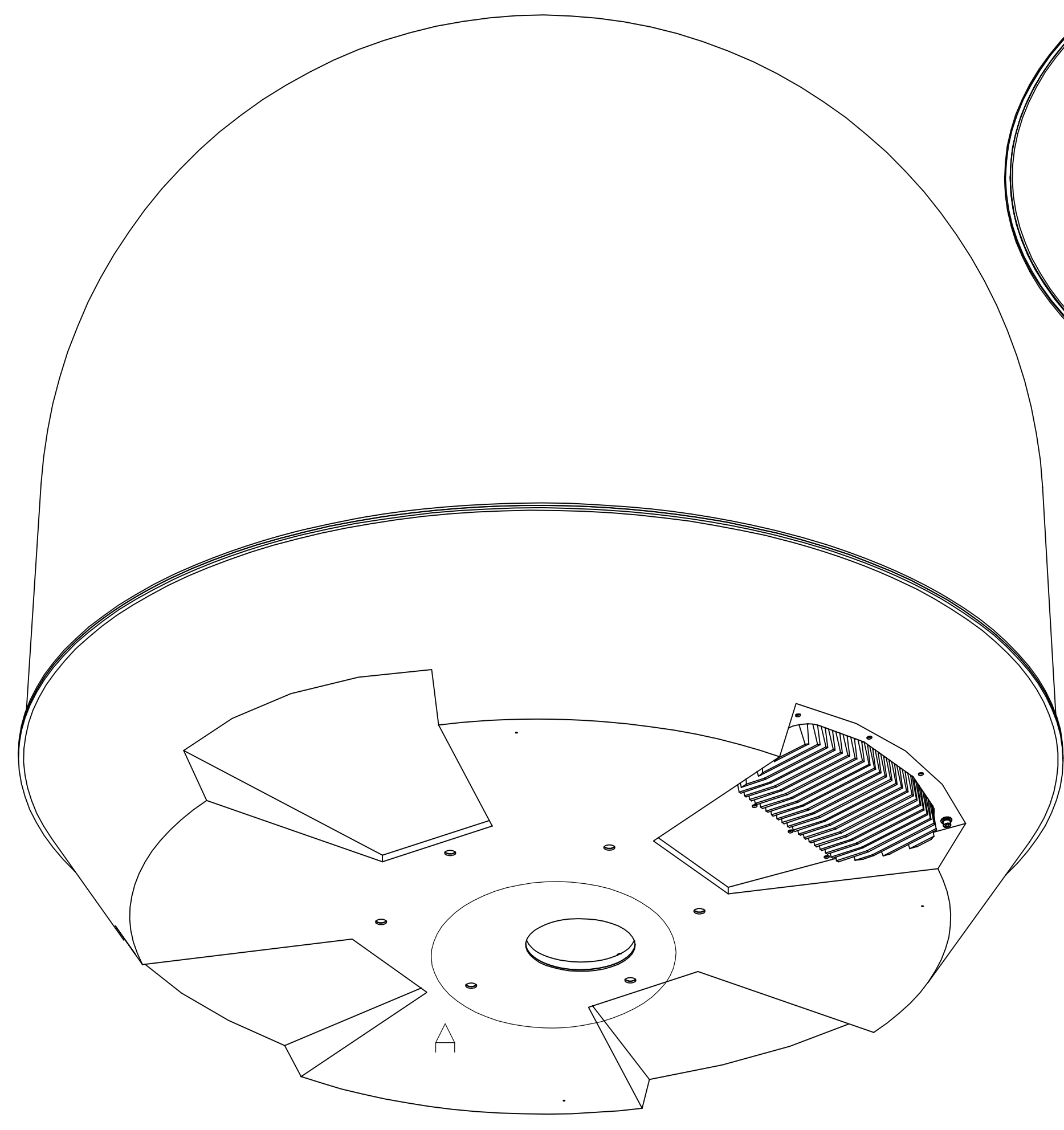
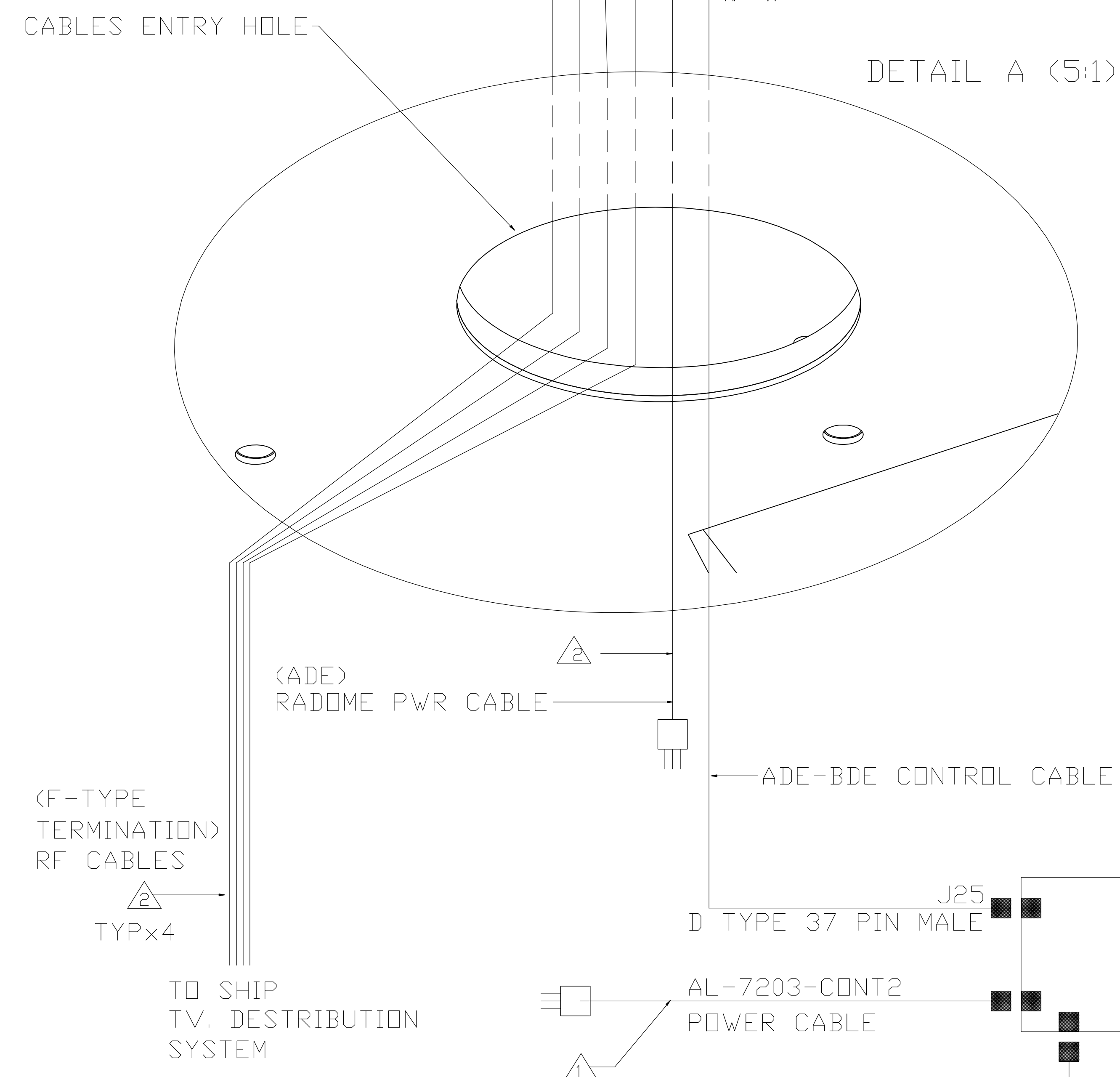
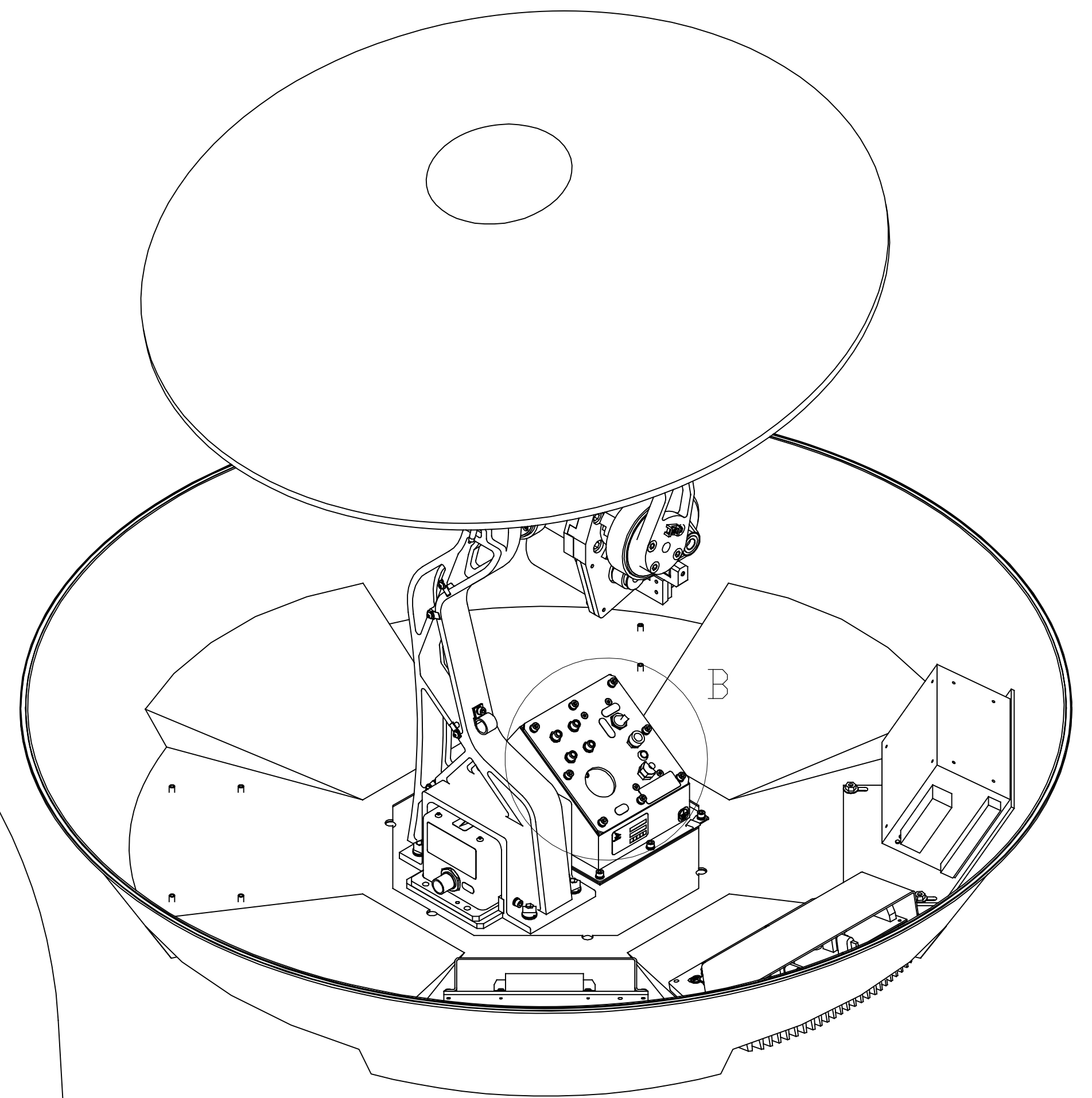
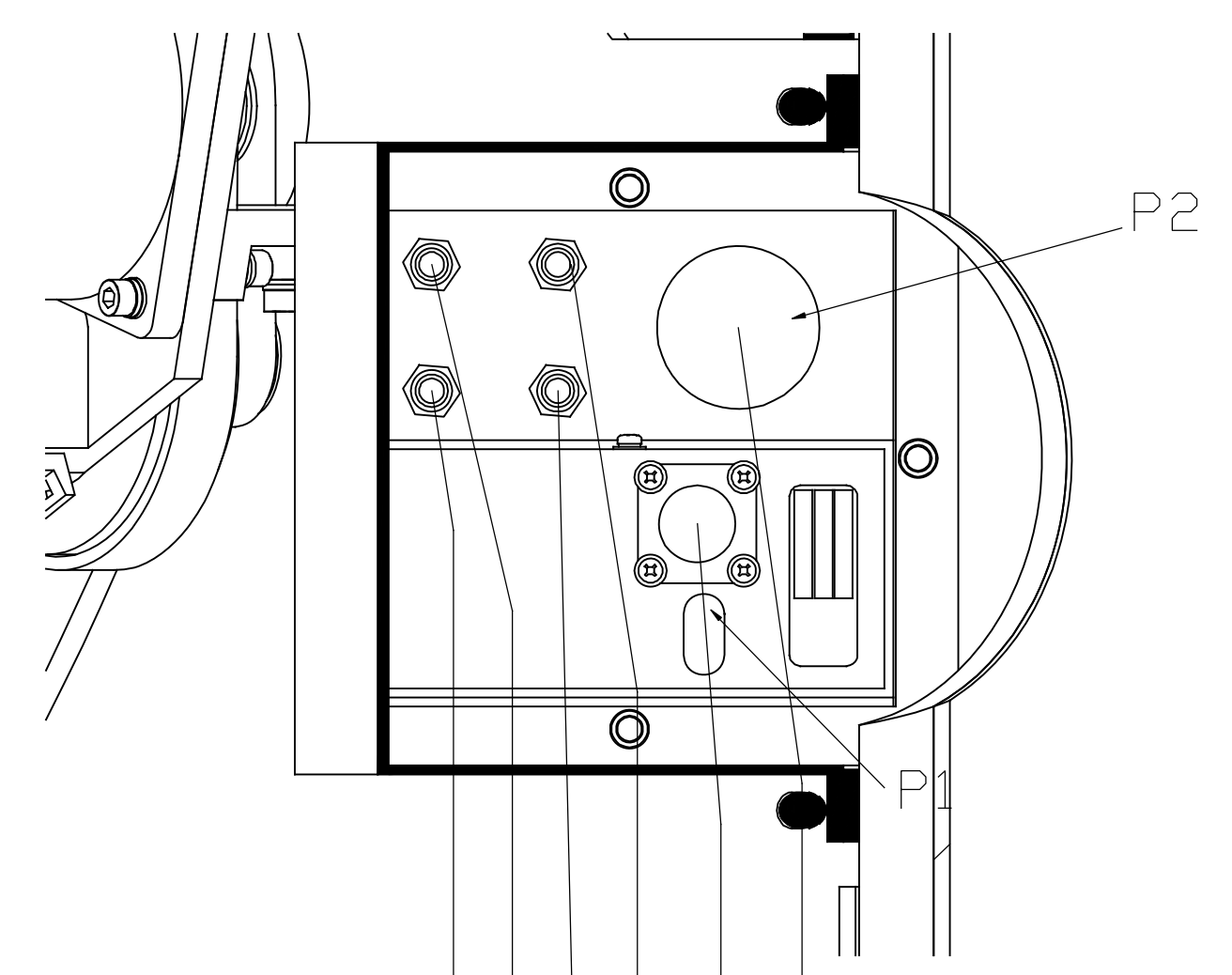
DRAWN <i>Eldad</i> 31.03.03	TITLE			REV.
	0.8M ANTENNA POS. SYSTEM			
CHECK	AL-7203-SYSTEM3			4
	SCALE 1/5	RELEASE DATE	SHEET 2	

8 7 6 5 4 3 2 1

T33H2	REV.	DATE	APPROVED
REVISIONS			
ZONE	REV.	DESCRIPTION	DATE

NOTE-
 1 2 M PWR CABLE INCLUDED IN KIT21-0969 UNIVERSAL UTILITY BAG
 2 NOT INCLUDED IN PACKAGE

TVRO Ku-BAND 0.8M ANTENNA SYSTEM WAVETRACK-80 BLOCK DIAGRAM



PROPRIETARY DATA
 Information contained herein is the sole property of ORBIT Communication Ltd. and is not for publication, duplication and it may not be passed to any other party without written authorization from ORBIT Communication Ltd.

ORIGINAL

ORBIT COMMUNICATION LTD.		TITLE	
0.8M ANTENNA POS. SYSTEM		AL-7203-SYSTEM3	
DRAWN <i>Eldad</i>	31.03.03	D	FSM NO. S5496
CHECK	SCALE 1/5	RELEASE DATE	DCD20-0750-3
SHEET 3		REV. 4	

8

7

6

5

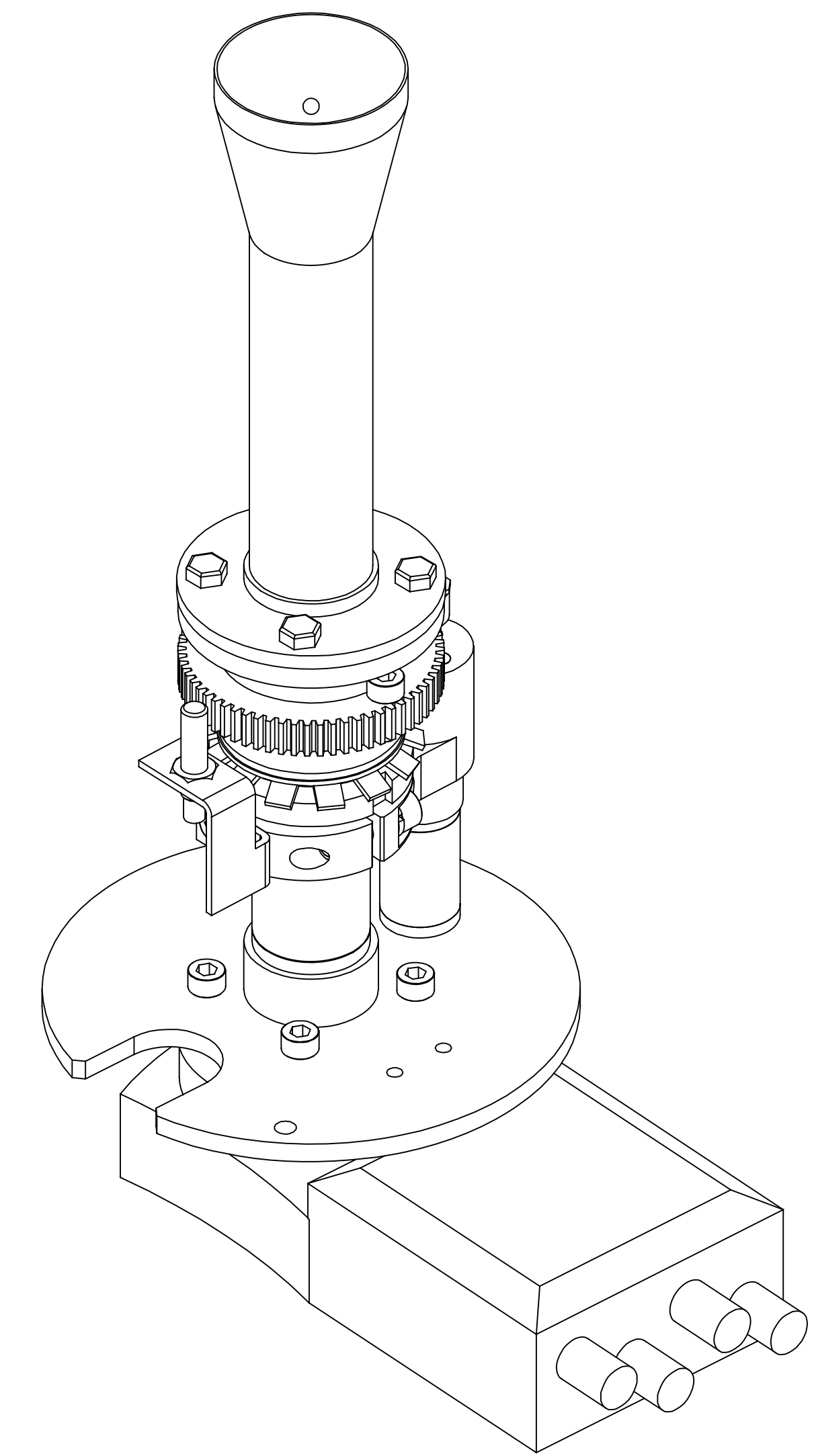
4

3

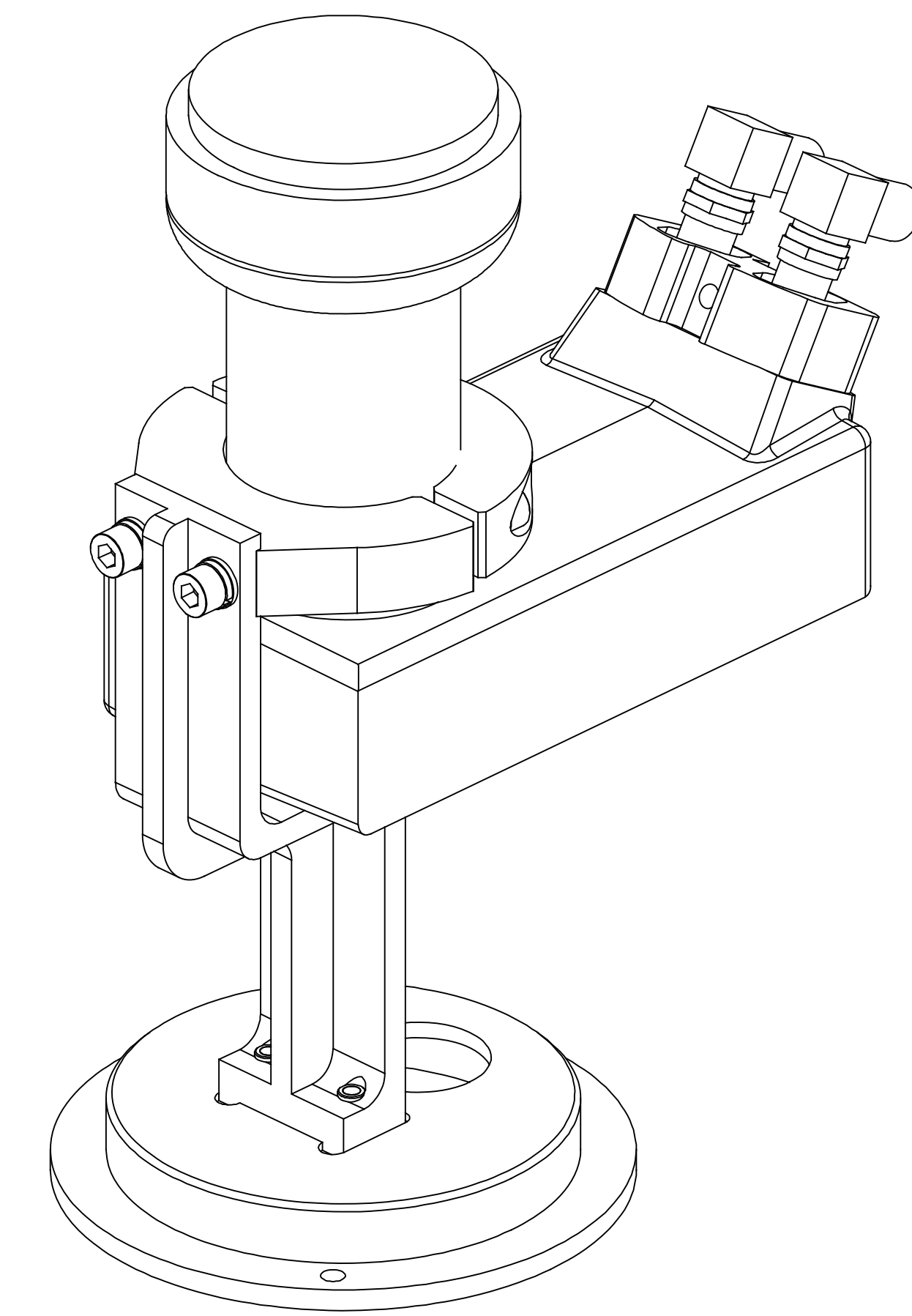
1

T33H2	REV.	DATE	APPROVED
REVISIONS			
ZONE	REV.	DESCRIPTION	DATE

*TVRO Ku-BAND
0.8M ANTENNA SYSTEM
WAVETRACK-80*



*MOTORIZED FEED
AL-7203-POL*



*AMERICAN (DBS LNBF)
OR LATIN AMERICAN (GLA LNBF)*

PROPRIETARY DATA
Information contained herein is the sole property of ORBIT Communication Ltd. and is not for publication, duplication and it may not be passed to any other party without written authorization from ORBIT Communication Ltd.

ORIGINAL

DRAWN <i>Eldad</i>	31.03.03	TITLE		REV.
		0.8M ANTENNA POS. SYSTEM		
CHECK	SCALE 1/1	AL-7203-SYSTEM3		4
		FSM NO. S5496	ENG. NO. DCD20-0750-3	
		RELEASE DATE		4

8

7

6

5

4

3

2

1